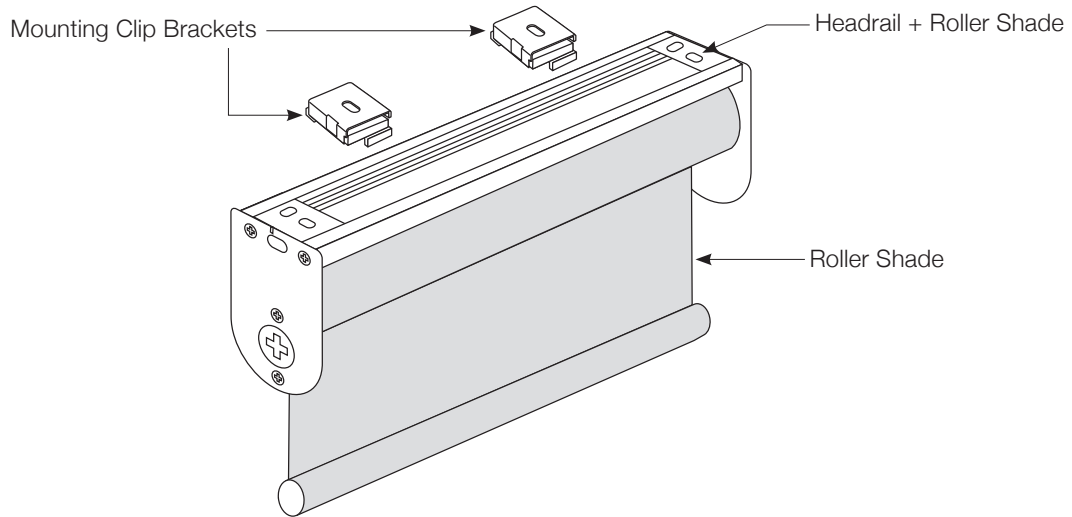
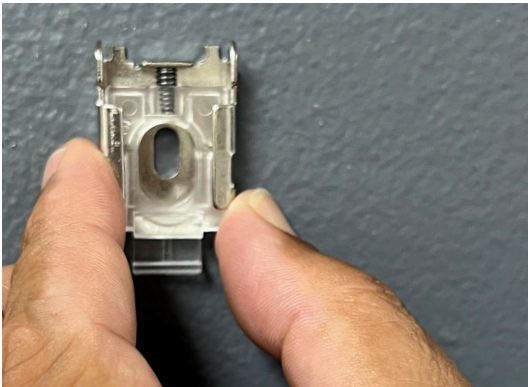


Standard Cordless with Rail System

INSTALLATION INSTRUCTIONS



NOTE: Shades come pre-assembled on the mounting headrail.



Mounting Clip Bracket on Wall

- Decide on your mounting clip brackets position on the wall/or ceiling.
- Attach your mounting clip brackets to the wall (for vertical mount). See photo on left. (Do the same if you are installing a ceiling mount, attach mounting clip brackets on ceiling).
- The mounting clip brackets are spring-loaded. Slide and snap in the headrail/roller shade into the mounting clip brackets.



Back view of Rail and Clipped In Mounting Bracket

QUICK REFERENCE --

- This is how the back of your rail and mounting clips look like when installed on the wall.
- Congratulations! You are done!