

# ROLLSTAR-EX™ SHADES (with/without Headboxes)

## INSTALLATION INSTRUCTIONS



# ROLLSTAR-EX™ SHADES (with/without Headboxes)

## INSTALLATION INSTRUCTIONS

Thank you for purchasing your new Rollstar-EX shades. They have been custom-made from the highest quality materials to the dimensions you specified. With the proper installation and care, it will provide you with many years of beauty and trouble-free use.

Please read all instructions before you start so you will be familiar with the overall process. Measure your outdoor openings to ensure the headboxes and shades will fit properly before beginning.

### Getting Started

Remove the headbox and shade from the packaging. Keep the packaging until you have successfully installed the exterior motorized shades.

#### TOOLS REQUIRED:

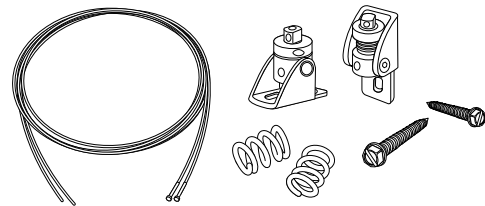
- Pencil
- Awl
- Tape Measure
- Level
- 1/8" Cable Cutter
- #2 Allen Wrench
- Ladder or Stepstool
- Power Drill with the following bits:
  - 3/8" Drill Bit
  - 1/4" Hex Driver
  - Standard Screwdriver
  - Masonry Drill Bit (if drilling into concrete or brick)

### Parts and Pieces Checklist

BEFORE YOU BEGIN, VERIFY THAT YOU HAVE ALL THE NECESSARY PARTS AND PIECES:

- **Your cable assembly kit** contains:
  - 1 set of stainless steel cables, (12-feet)
  - 2 universal brackets
  - 2 springs
  - 2 concrete screws

Please note: You will need to get a special cable cutter and #2 Allen wrench. They do not come with the package.



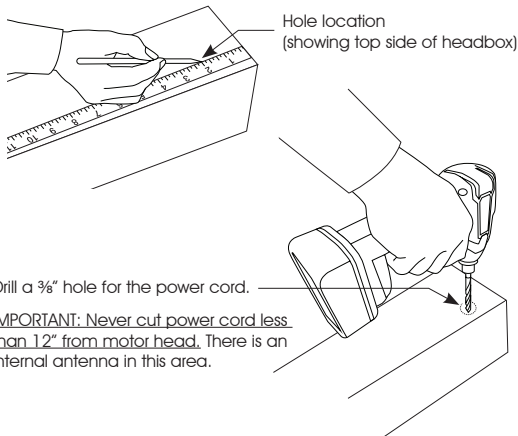
Illustration, clockwise from left:  
Cable assembly, universal brackets, concrete screws and springs

## A) FOR HEADBOX WITH MOTOR

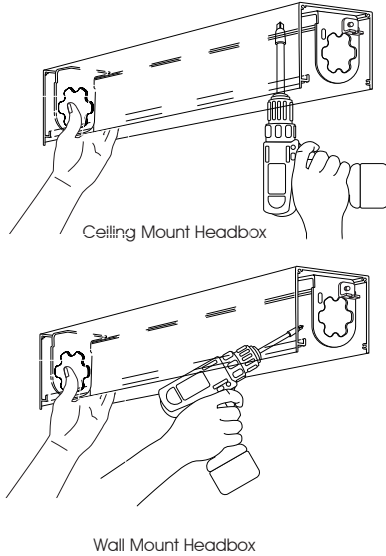
### STEP 1 - MARK AND DRILL YOUR POWER CORD HOLE LOCATION ON THE HEADBOX ASSEMBLY.

a) Mark power cord hole location on the headbox. You will need a  $\frac{3}{8}$ " hole drill bit.

Note: This hole location is dictated by the job site power source. It may require the hole to be drilled on the top, side or back side of the headbox.



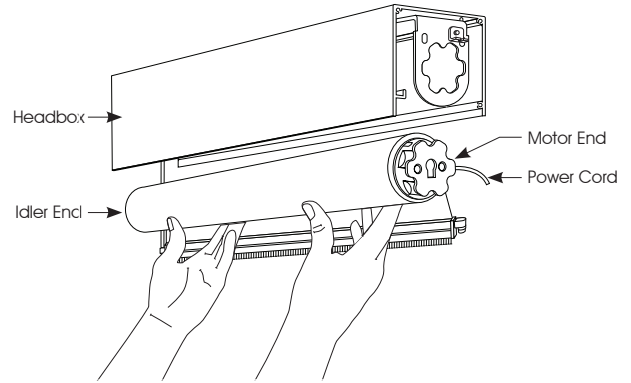
### STEP 2 - INSTALL HEADBOX.



## B) FOR MOTOR & CCO SYSTEMS WITH HEADBOX

### STEP 3 - INSTALLING THE SHADE.

a) For MOTORS, install the idler end of the shade first. Slip the motor head into the motor bracket and secure with the retaining clip.

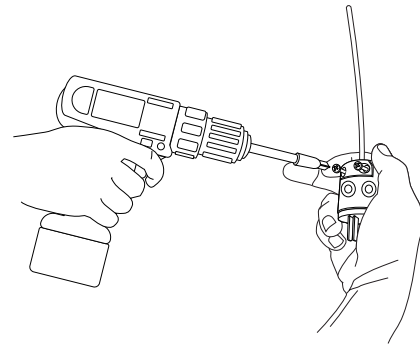


b) Run the power cord through the drilled hole in the headbox.

**IMPORTANT:** Never cut power cord less than 12" from the motor head. There is an internal antenna in this area.

### STEP 4 - CONNECT YOUR POWER SOURCE AND TEST THE SHADE.

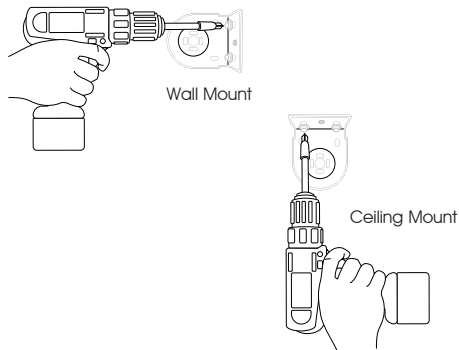
a) Attach power cord to outdoor market plug (as shown) or to power supply box at job site.



b) Your shades are pre-set at the factory. However, a field adjustment may be necessary. If limit adjustments are required, refer to the programming instructions. These can be found in the remote controller shipping box.

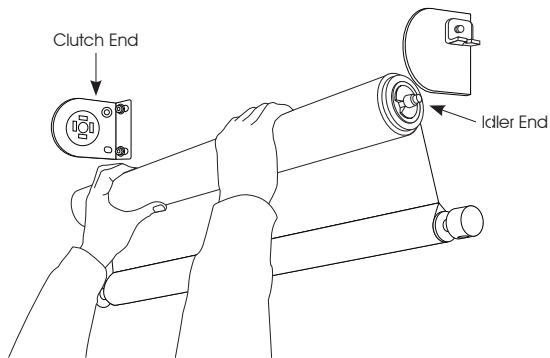
### C) FOR OPEN ROLL SYSTEMS WITHOUT HEADBOXES

a) For OPEN ROLL SYSTEMS, install universal shade brackets in the desired location (wall or ceiling, see drawings below), and follow previous installation steps as before.



### D) FOR HEADBOX & OPEN ROLL WITHOUT HEADBOX

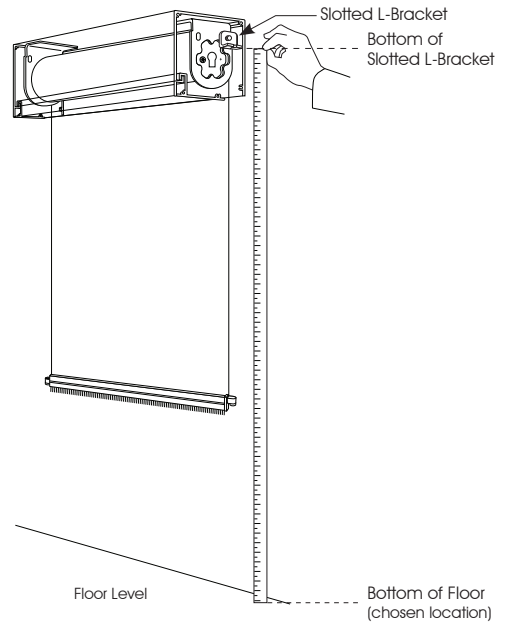
- a) After installing your headbox, (see steps 1 to 2), insert your shade idler end first.
- b) Slip the clutch into the clutch brackets. Release your clutch chains and make any adjustments if needed.



### E) SETTING THE EXTERIOR CABLE LENGTH FOR MOTOR & CCO SYSTEMS

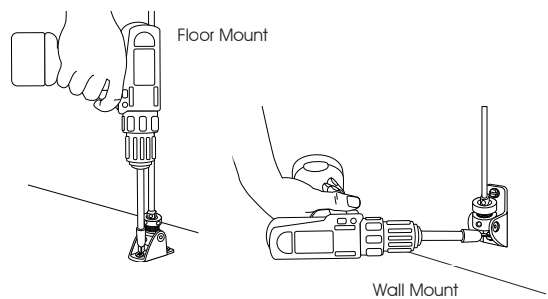
#### STEP 5 - MEASURE THE REQUIRED SHADE HEIGHT.

- a) Determine where your universal brackets are going to go, floor or wall mount.
- b) Measure from bottom of slotted L-bracket down to your chosen location, either the floor or the wall.



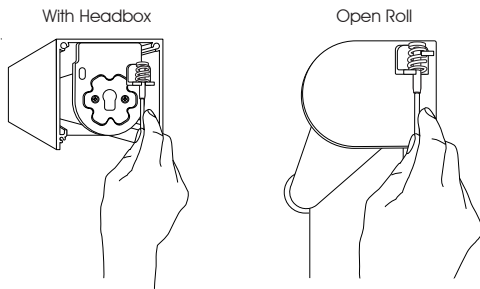
#### STEP 6 - INSTALL THE LOWER UNIVERSAL BRACKETS.

- a) Use the concrete screws supplied to install the brackets on the concrete floor or wall.

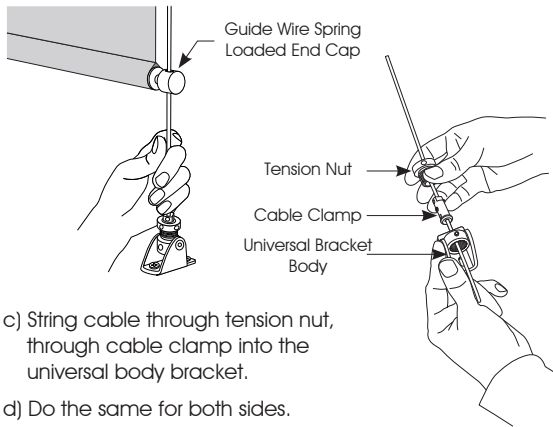


**STEP 7 - INSTALL YOUR UNIVERSAL CABLES.**

a) Attach the spring loaded top part of the cable to the L-bracket.



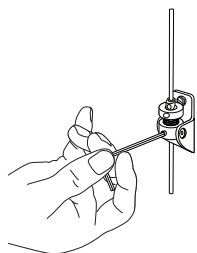
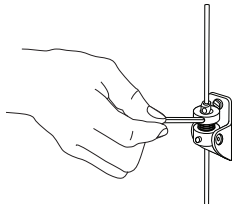
b) String cable through guide wire spring loaded end cap. Attach the cable to the lower universal bottom bracket.



c) String cable through tension nut, through cable clamp into the universal body bracket.

d) Do the same for both sides.

e) Set the stop for the cable at your desired height and tighten set screws to secure cable. Insert cable tensioner and set the tension by adjusting the nut.



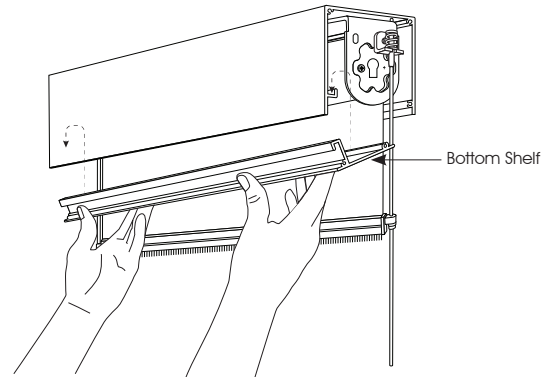
f) Use allen wrench and tighten set screws to secure tension nut. Repeat on the opposite side.

g) Cut off excess cable leaving an inch for adjustments if needed.

**F) COMPLETING THE INSTALLATION FOR MOTOR & CCO SYSTEMS**

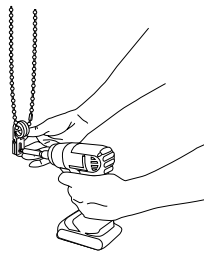
**i) Headbox Systems**

**STEP 8 - INSTALL THE BOTTOM SHELF.**

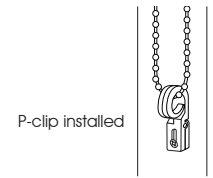


**ii) CCO Systems**

**STEP 9 - INSTALL THE P-CLIP (HOLDDOWN).**



- a) Depress the P-clip holddown and firmly attach to the wall.
- b) DO NOT PULL THE BEAD CHAIN TAUT, as this will prevent the bead chain from operating smoothly.



**iii) Congratulations! You are done!**

Call us at 800.828.2500 if you have any questions.

Fabritec, LLC.  
 7531 Coldwater Canyon Avenue  
 North Hollywood, CA 91605  
 t) 818.503.8300  
 f) 818.503.8360

© 2022 Fabritec, LLC. | RS-EX2205II

[www.fabritecdesigns.com](http://www.fabritecdesigns.com)