

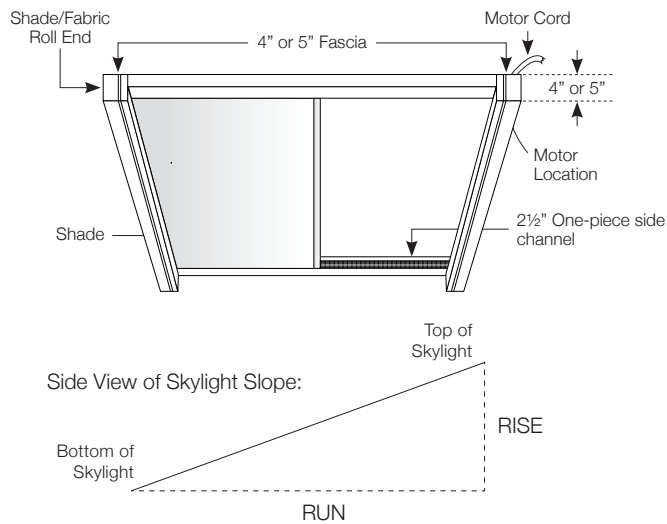
7531 Coldwater Canyon Avenue • North Hollywood • California • 91605 • USA
P) 800.828.2500 or 818.503.8300 • F) 818.503.8360

Account # _____ Account Name _____
 Address _____
 City/State/ZIP _____
 Phone _____ Fax _____
 Ordered by _____ Purchase Order # _____
 Sidemark _____ Acct Mgr _____

Ship to _____ Attn _____
 Address _____
 City/State/ZIP _____
 Phone _____
 Date Ordered _____ Date Needed _____
 Ship via Will Call Standard 2-Day Overnight

A fully completed order form is required before manufacturing can begin. All orders confirmed in writing.

Line No & Room ID	Shades (Qty)	Skylight Description			Width (Tight Opening)	Finished Height	LIFTING SYSTEMS					MOTOR CORDS*				Fascia/Headbox/End Cap/Side Channel Colors			Fabric Description	
		Horizontal	Sloped	Rise/Run (see diagram below)			MOTOR TYPES					Plug-in cords		Without Plug		Anod Black	Anod Alum	White		
							L	R	Rmt Ctrl	Rmt Ctrl (Quiet)	Mtr Tester	3'	6'	12'	24'					3'
1.				/																
2.				/																
3.				/																
4.				/																
5.				/																



NOTE: All Skystar shades are for INSIDE MOUNT APPLICATIONS ONLY.
 For shades greater than 60"W x 84"H, a 5050 headbox is standard (approx. 5" x 5").
 For shades less than 60"W x 84"H, a 4040 fascia is standard (approx. 4" x 4").
 Motor is located on the cord take up tube, not the shade fabric tube.

* Standard motor cords are 6 feet without plugs.

		REMOTE CONTROLLERS								TIMERS	
Line No(s)	Qty	1-Ch		5-Ch		16-Ch	Univ Inter-face	My Link	Chronis	Sunis	
		Hand	Wall	Hand	Wall	Hand					

SPECIAL INSTRUCTIONS
