

CORDLESS CASSETTES ROLLER SHADES

INSTALLATION INSTRUCTIONS



CORDLESS CASSETTES ROLLER SHADES

INSTALLATION INSTRUCTIONS

Thank you for purchasing your new Cordless Cassette Roller Shades. They have been custom-made from the highest quality materials to the dimensions you specified. With the proper installation and care, it will provide you with many years of beauty and trouble-free use.

Please read all instructions before you start so you will be familiar with the overall process.

Make sure you measure your window to ensure the cassettes and shades will fit properly before beginning.

Getting Started.

Remove the cordless cassettes roller shades from the packaging.

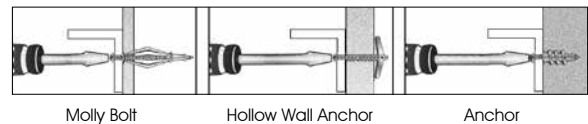
Keep the packaging until you have successfully installed the motorized shade.

TOOLS REQUIRED.

- Pencil
- Awl
- Tape Measure
- Level
- Ladder or Stepstool
- Power Drill with the following bits:
 - 1/8" Drill Bit
 - 1/4" Hex Driver
 - Masonry Drill Bit (if drilling into concrete or brick)
- Standard or Phillips Screwdriver

FASTENER NOTES

For outside mount, it is best to attach the bracket to wood studs. If this is not possible, you will need to purchase special fasteners (see illustration below for examples).

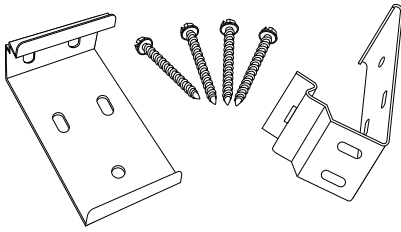


Here are some HELPFUL TIPS:

- If you are using a special fastener, make sure it is designed to support the weight of the cassette and shade. Follow the fastener manufacturer's instructions carefully.
- When drilling into drywall or plaster, use a fastener designed for hollow wall applications (see illustration).
- When drilling into concrete, stone, brick, or tile, use appropriate plugs, anchors, or screws (not included).
- When drilling into metal, the included screws are sufficient. Pre-drill 1/8" holes.

BEFORE YOU BEGIN, VERIFY THAT YOU HAVE ALL THE NECESSARY PARTS AND PIECES:

- **PACKAGE** - Contains at least 2 clip-on brackets and 4 screws.



Photo, clockwise from top left:
Clip-on bracket, 4 installation screws and Clip-on bracket (side view).

Note: For wider shades, additional brackets will be provided along with 2 installation screws per bracket.

Mounting the Brackets, Cassette and Shade.

IMPORTANT, please note:

Cordless Cassettes Roller Shades **come fully assembled** and are **ready to mount using clip-on brackets**.

Do not remove shades from the cassette assembly.

STEP 1 - DETERMINE SHADE AND BRACKET LOCATIONS.

The outermost brackets should be set approximately 3" in from each end. Additional brackets should be spaced evenly between the outermost brackets.

i) FOR INSIDE MOUNT:

- Hold the shade in the appropriate location to verify that it fits within the opening. There should be a slight gap on either side of the shade.
- Measure and mark the bracket locations in the window. Make sure that the brackets are exactly parallel to each other and aligned at the front. To mount the cassette so that the front is flush with the wall above, set the brackets $\frac{1}{2}$ " back from the front of the wall opening.

ii) FOR OUTSIDE MOUNT ON WALLS/CEILINGS:

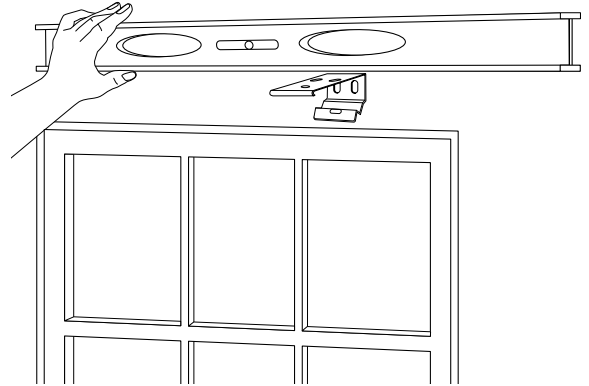
- Measure and mark the bracket locations on the wall using a level to be sure the brackets will be perfectly level.

STEP 2 - ATTACH THE BRACKETS.

IMPORTANT: To hold the cassette properly, the brackets must be perfectly level and parallel to each other.

- Use the hex head screws provided to attach the brackets to the wall or window frame. Make sure the brackets are level. Use a shim if needed. If you do not reach wood or other solid backing, use appropriate fasteners (not included).

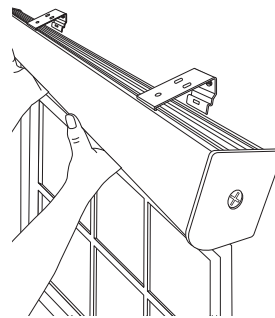
NOTE: For demonstration purposes and easier viewing, we are using light colored brackets in our photos.



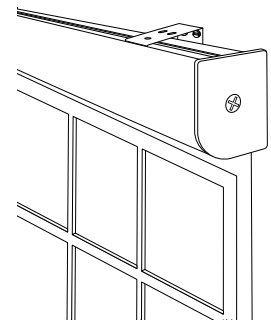
Make sure brackets are level

STEP 3 - INSTALLING THE CASSETTE INTO THE BRACKETS.

- Fit the groove at the front of the top of the cassette into the hooks on the frontside of the brackets. See photo (A) below.
- Rotate the cassette up at the back to clip it into the brackets. See photo (B) below.



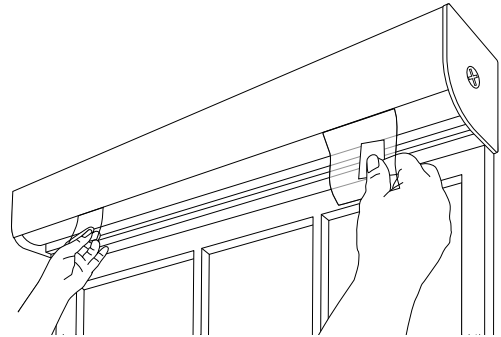
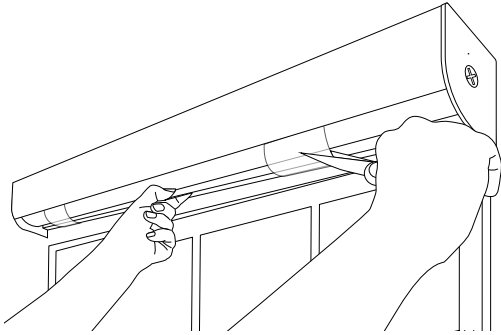
A) Groove on cassette fitted onto the frontside of bracket



B) Cassette clipped correctly onto the bracket

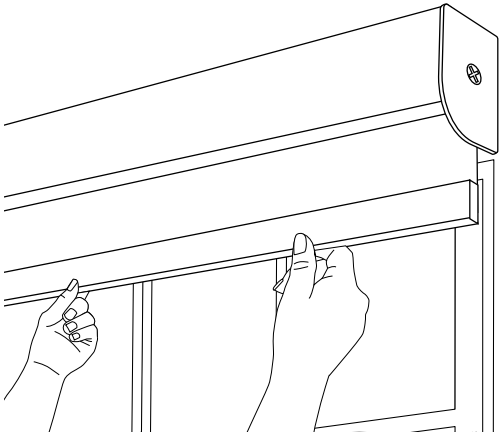
STEP 4 - ADJUSTING THE SHADE.

a) Remove the packing straps on the shade.



Removing the packing straps from the shade

b) Raise the shade and check to see that it tracks properly and that the lower edge is level.



Make sure shade tracks properly

For onsite adjustments to the cordless cassette shade, see facing column.

FOR ONSITE ADJUSTMENT TO THE CORDLESS CASSETTE SHADE:

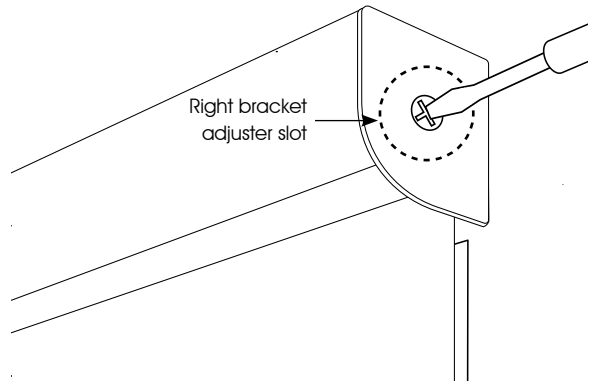
The cordless cassette's upper and lower limits are preset at the factory. No additional adjustments should be necessary.

However, in the unlikely event that an adjustment is necessary, the following steps will walk you through the process.

Please note: When you are facing the shade, the **right hand bracket controls the *spring tension or speed***. The **left hand bracket controls the *stop point or upper limit*** of the shade.

a) Begin by adjusting the speed at which the shade rises. The shade must be in the fully lowered position.

b) Using a standard flat head screwdriver, insert it into the right bracket adjuster slot. See photo below.



Right bracket adjuster slot

c) To increase the tension or speed, turn the adjuster clockwise one full turn.

To decrease the tension or speed, turn counter clockwise. Now, pull the shade down to determine if the tension is set to the desired speed. If not, simply repeat the steps above again.

Once the speed is set, then the stop point at the upper limit must be set.

d) To adjust the upper limit, the shade must be in the completely raised position.

e) Using a standard flat head screwdriver, insert it into the left bracket adjuster slot to set the stop point or upper limit.

f) Turn the adjuster clockwise until the shade jogs downwards to the desired position. To raise the upper limit, turn the adjuster in the counter clockwise direction.

g) Congratulations! You are done. You have your new Cordless Cassettes Roller Shades!

Caring for your Cordless Cassettes Roller Shades.

Your cordless cassettes roller shades will provide you with years of beauty and pleasure with minimal care and cleaning. For routine cleaning:

- Vacuum using a brush or dust head attachment.
- Dust lightly using a soft, clean cloth.
- Never immerse the motors or shades in water or liquids of any type.

Please note that more aggressive cleaning can damage the shade fabric. If your shade becomes soiled and the routine cleaning instructions do not fix the problem, please contact us.

.....

Note:

Call us at 800.828.2500 if you have any questions.

Fabritec, LLC.
7531 Coldwater Canyon Avenue
North Hollywood, CA 91605
t) 818.503.8300
f) 818.503.8360

www.fabritecdesigns.com