

fabritec
DESIGNS

Trackstar™

[Shades for Curved, Sloped and Horizontal Windows]



Specification Sheets

[August 2017]

Table of Contents

[TRACKSTAR SPECIFICATION SHEETS]

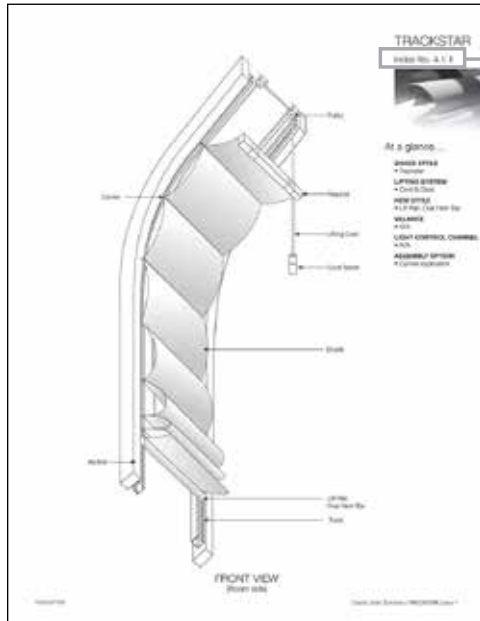
INDEX NO.	LIFTING SYSTEM	HEM STYLE	VALANCE	LIGHT CONTROL OPTION	ASSEMBLY OPTION	PAGE NO.
4.1.1	Cord & Cleat	Lift Rail	N/A	N/A	Curved Application	1
4.3.1	Tracklock, Telescoping Wand	Lift Rail	N/A	N/A	Curved Application	2
4.3.2	Tracklock, Telescoping Wand	Lift Rail	N/A	N/A	A: Lift Rail in Locked Position B: Lift Rail in Unlocked Position	3
4.5.1	Series 50 Motor	Lift Rail	N/A	N/A	Curved Application A: Multi-Bay, Outside Mount B: Single Bay, Outside Mount C: Single Bay, Inside Mount	4
4.5.2	Series 50 Motor	Lift Rail	N/A	N/A	Curved Application	5
7.3.1	Wand Operated	Lift Rail	N/A	N/A	Wand Operated, (Skylight Application - Horizontal)	6
7.5.1	Series 50 Motor	Lift Rail	N/A	N/A	Series 50 Motor, (Skylight Application - Horizontal)	7
7.5.2	Series 50 Motor	Lift Rail	N/A	N/A	Series 50 Motor, (Skylight Application - Horizontal)	8
7.5.4	N/A	Lift Rail	N/A	N/A	Guide Wire Installation, (Skylight Application - Horizontal)	9
7.5.5	Helireel™ Motor	Lift Rail	4040 Fascia	N/A	Helireel™ Motor, (Skylight Application - Horizontal)	10
7.5.6	Series 50 Motor	Not Shown	N/A	N/A	Trackstar Cord Configuration	11
7.5.7	Motorized (without guide wires)	Lift Rail	N/A	N/A	N/A	12

Understanding our Specification Sheets Numbering Systemiii

UNDERSTANDING OUR SPECIFICATION SHEETS NUMBERING SYSTEM

Every Specification page has an Index Number on the top right hand corner below the Shade Style.

The illustration below explains our numbering system, and the chart below shows our naming systems for our Specification Sheets.



Index No. 4.1.1

The **first number** refers to our SHADE STYLE.

4 = Curvilinear Trackstar Shade

The **second number** is our LIFTING SYSTEM.

1 = Cord & Cleat

The **last number** is a SEQUENTIAL NUMBER in this series.

1 = Sequential Number

The above example means the illustration is a TRACKSTAR SHADE with a CORD & CLEAT LIFTING SYSTEM.

SPECIFICATION SHEETS REFERENCE SYSTEM

SHADE STYLES The first number refers to our SHADE STYLE.	3 = Sunstar Shade
	4 = Curvilinear Trackstar
	5 = Rollstar Shade
	6 = Skystar (Skylight) Shade
	7 = Sloped or Horizontal Trackstar
LIFTING SYSTEMS The second number refers to our LIFTING SYSTEM.	1 = Cord and Cleat
	2 = Continuous Chain Operator (CCO) & Slide Winder
	3 = Wand Operator
	4 = Spring Roller
	5 = Motorization
	6 = Miscellaneous
The last number is a SEQUENTIAL NUMBER in this series.	1 through 99 = Sequential Numbers

TRACKSTAR

Index No. 4.1.1



At a glance...

SHADE STYLE

- Trackstar

LIFTING SYSTEM

- Cord & Cleat

HEM STYLE

- Lift Rail, Oval Hem Bar

VALANCE

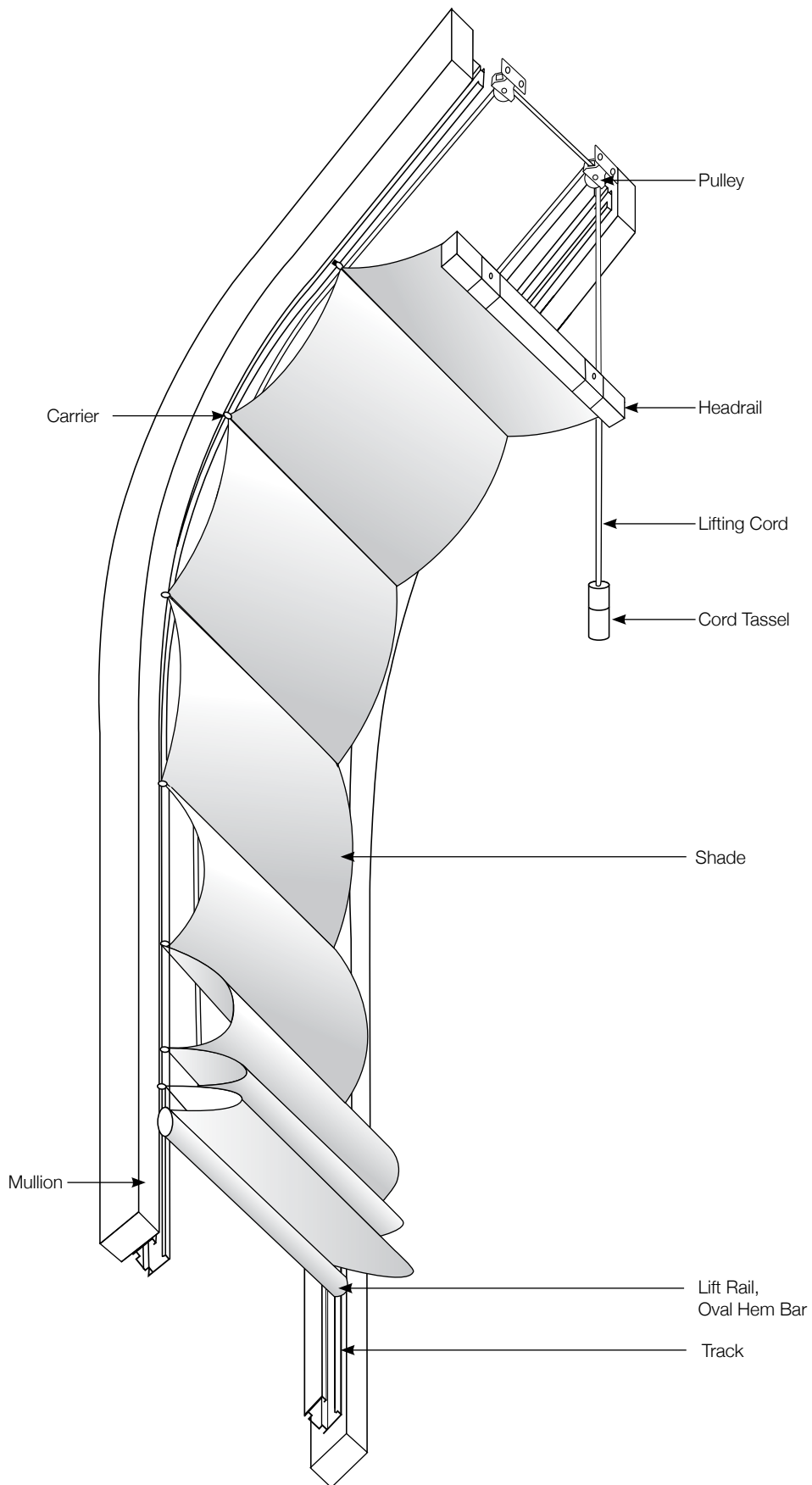
- N/A

LIGHT CONTROL CHANNEL

- N/A

ASSEMBLY OPTION

- Curved application



FRONT VIEW
(Room side)

TRACKSTAR

Index No. 4.3.1



At a glance...

SHADE STYLE

- Trackstar

LIFTING SYSTEM

- Tracklock, Telescoping Wand

HEM STYLE

- Lift Rail, Oval Hem Bar

VALANCE

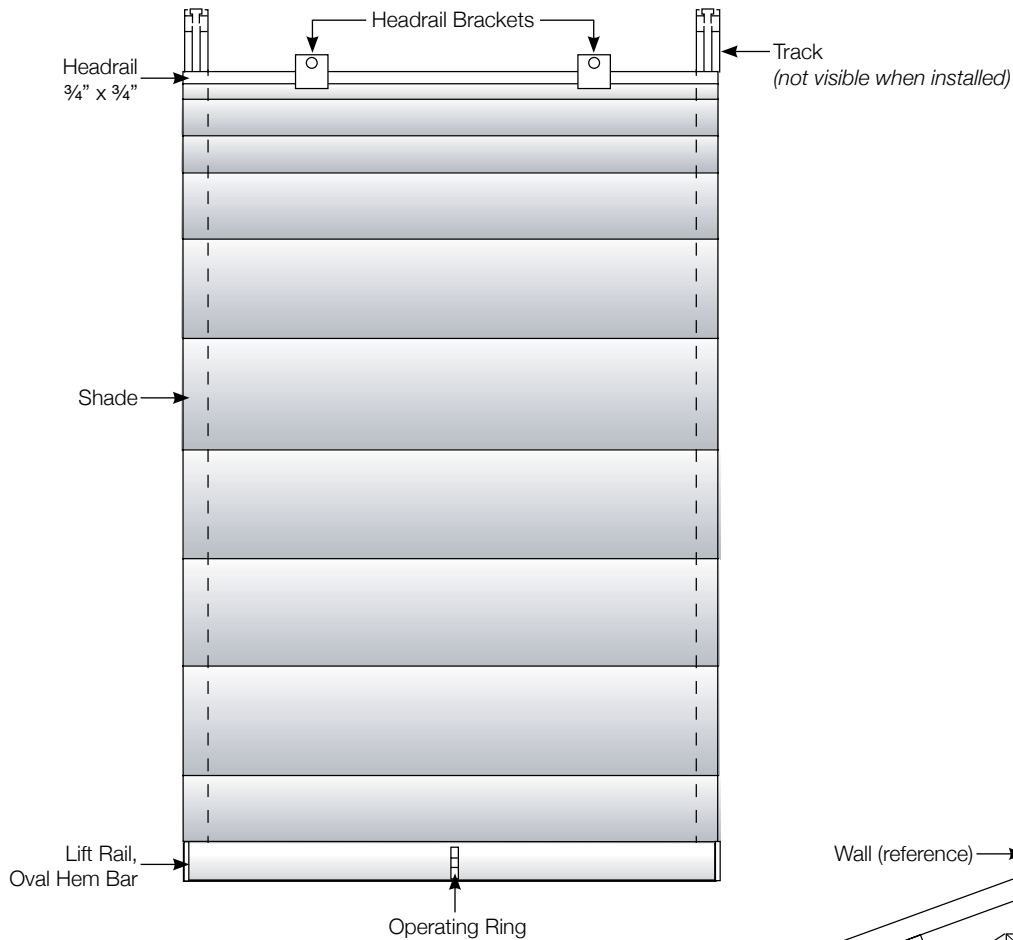
- N/A

LIGHT CONTROL CHANNEL

- N/A

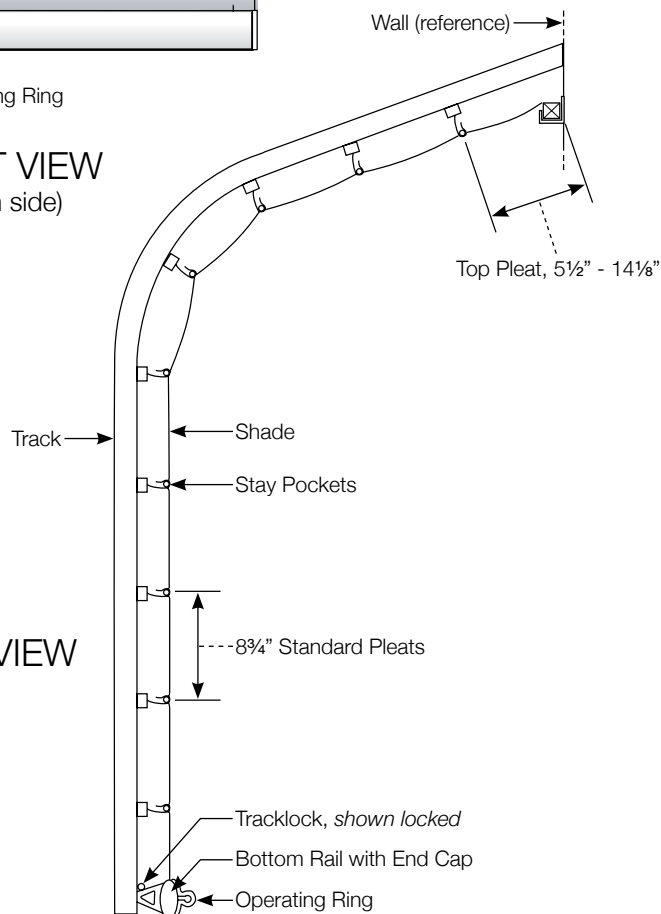
ASSEMBLY OPTION

- Curved application



FRONT VIEW
(Room side)

SIDE VIEW



TRACKSTAR

Index No. 4.3.2



At a glance...

SHADE STYLE

- Trackstar

LIFTING SYSTEM

- Tracklock,
Telescoping Wand

HEM STYLE

- Lift Rail, Oval Hem Bar

VALANCE

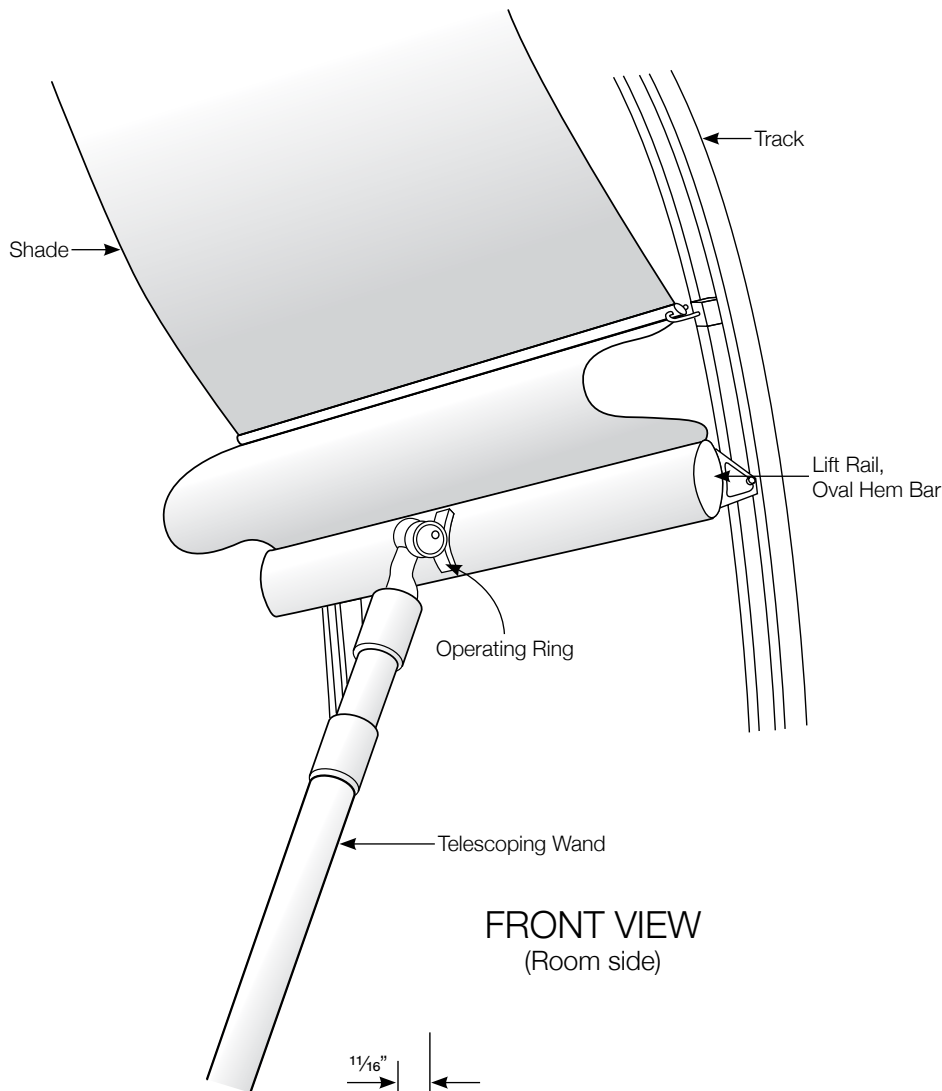
- N/A

LIGHT CONTROL CHANNEL

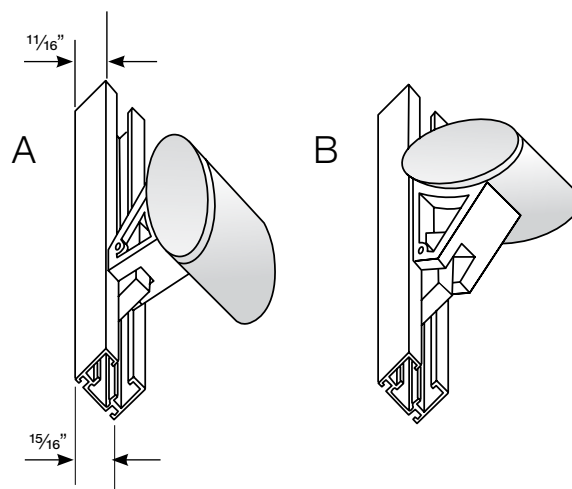
- N/A

ASSEMBLY OPTION

- A - Lift Rail in Locked position
- B - Lift Rail in Unlocked position



FRONT VIEW
(Room side)



CLOSE-UP VIEWS
(A: Locked B: Unlocked)

TRACKSTAR

Index No. 4.5.1



At a glance...

SHADE STYLE

- Trackstar

LIFTING SYSTEM

- Series 50 Motor

HEM STYLE

- Lift Rail, Oval Hem Bar

VALANCE

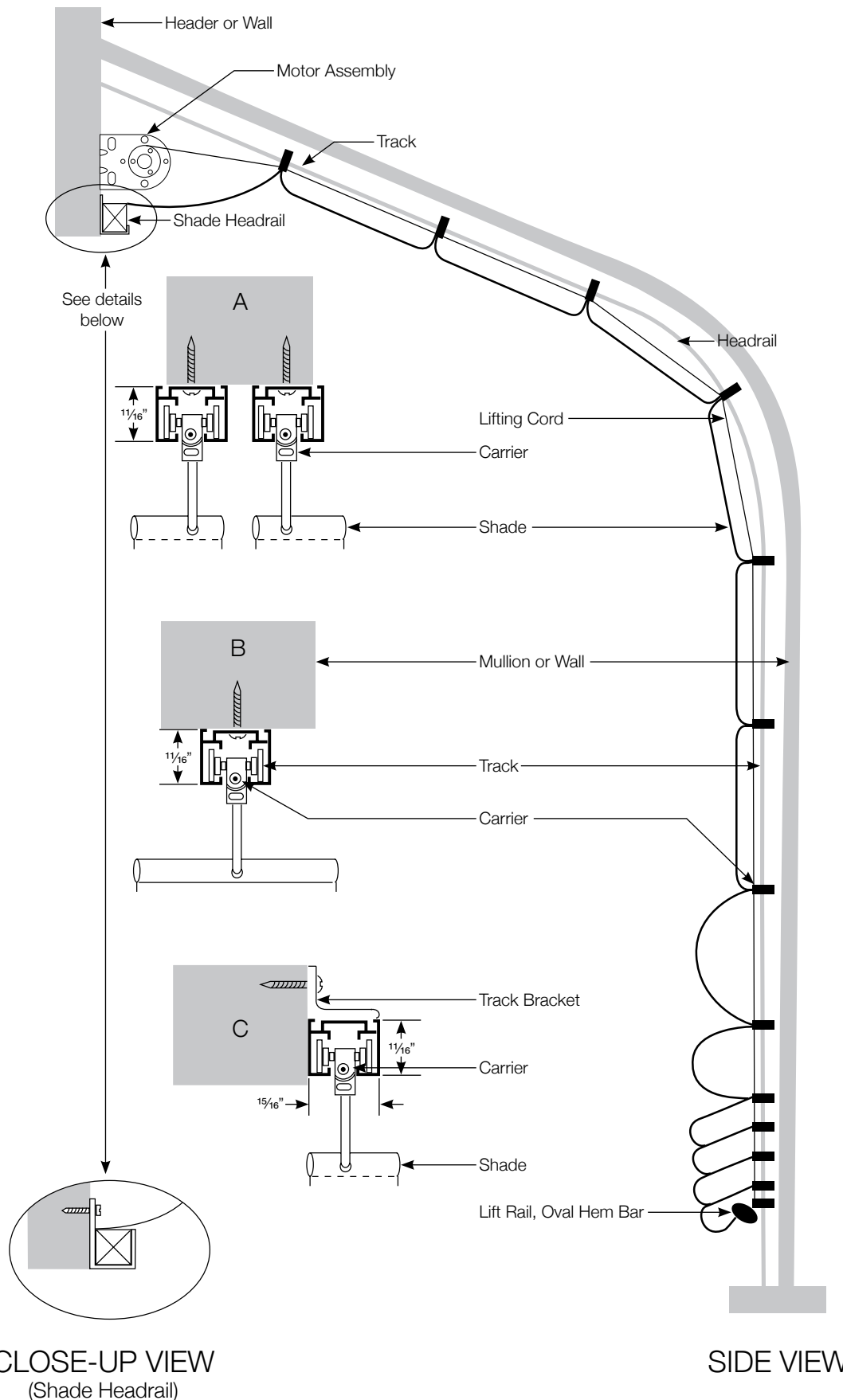
- N/A

LIGHT CONTROL CHANNEL

- N/A

ASSEMBLY OPTION

- Curved application
 - A: Multi-Bay - Outside Mount
 - B: Single Bay - Outside Mount
 - C: Single Bay - Inside Mount



TRACKSTAR

Index No. 4.5.2



At a glance...

SHADE STYLE

- Trackstar

LIFTING SYSTEM

- Series 50 Motor

HEM STYLE

- Lift Rail, Oval Hem Bar

VALANCE

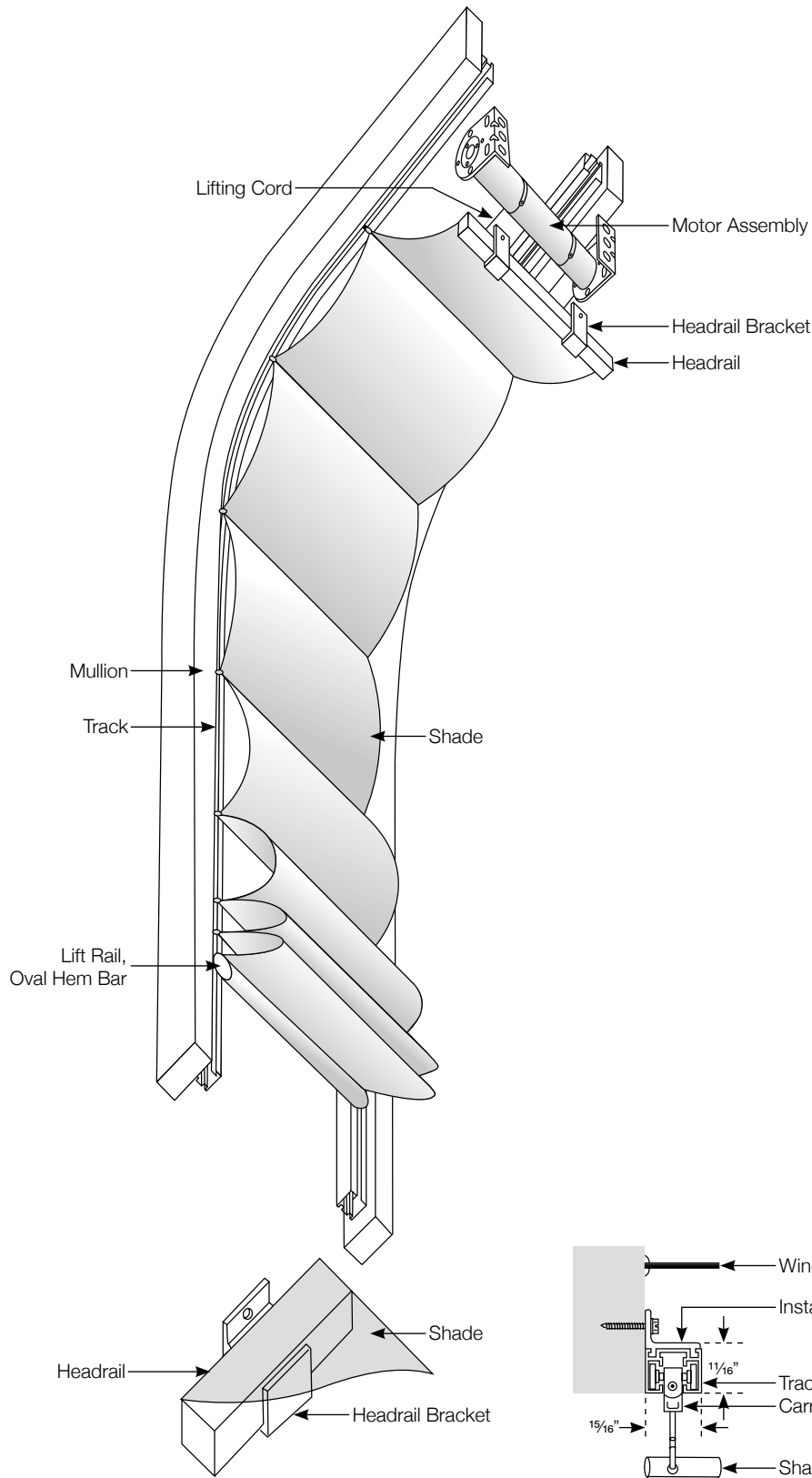
- N/A

LIGHT CONTROL CHANNEL

- N/A

ASSEMBLY OPTION

- Curved application



TRACKSTAR

Index No. 7.3.1



At a glance...

SHADE STYLE

- Trackstar

LIFTING SYSTEM

- Wand Operated

HEM STYLE

- Lift Rail, Oval Hem Bar

VALANCE

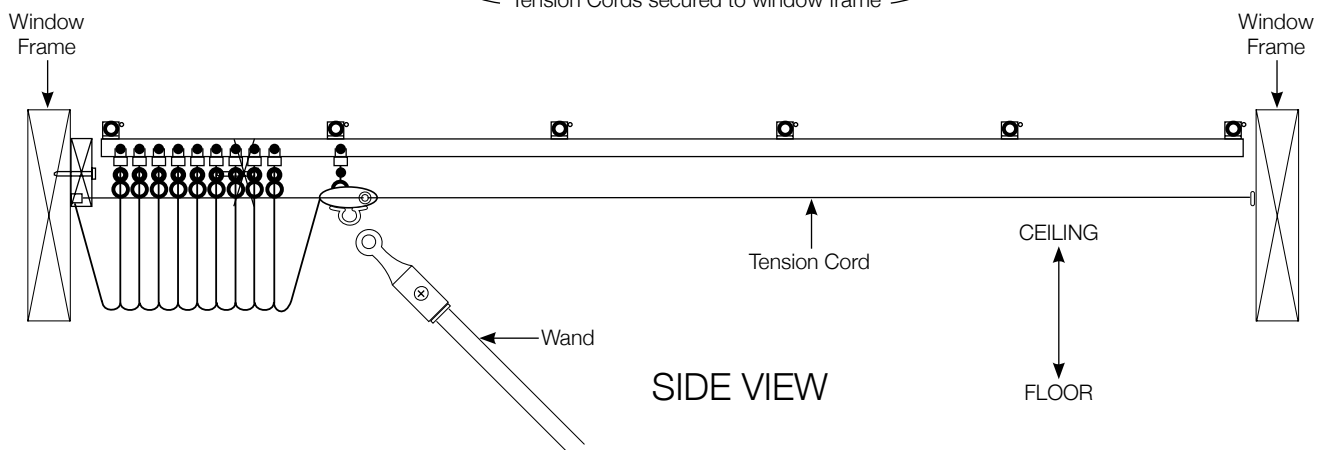
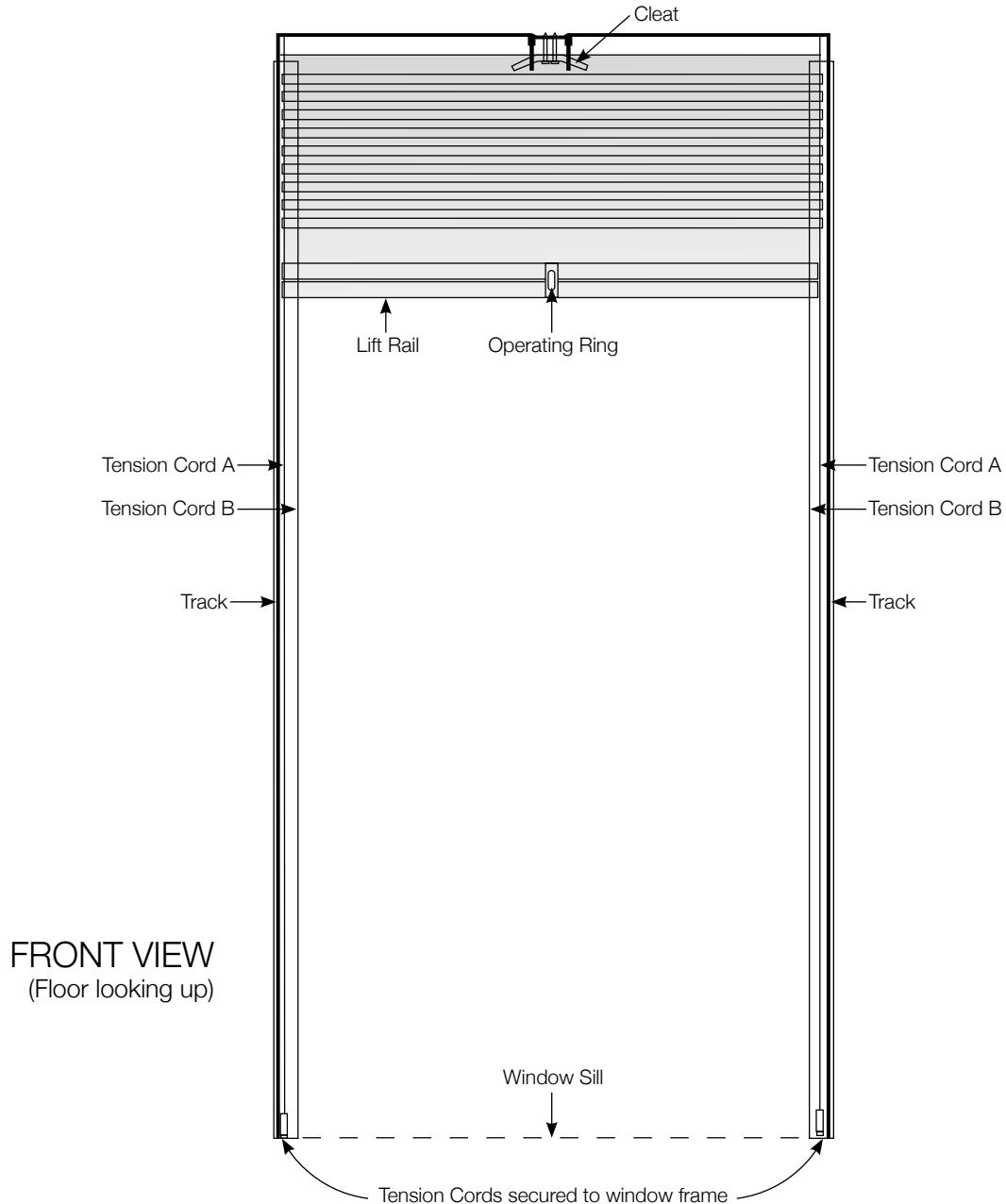
- N/A

LIGHT CONTROL CHANNEL

- N/A

ASSEMBLY OPTION

- Wand Operated,
Skylight application,
Horizontal



TRACKSTAR

Index No. 7.5.1



At a glance...

SHADE STYLE

- Trackstar

LIFTING SYSTEM

- Series 50 Motor

HEM STYLE

- Lift Rail, Oval Hem Bar

VALANCE

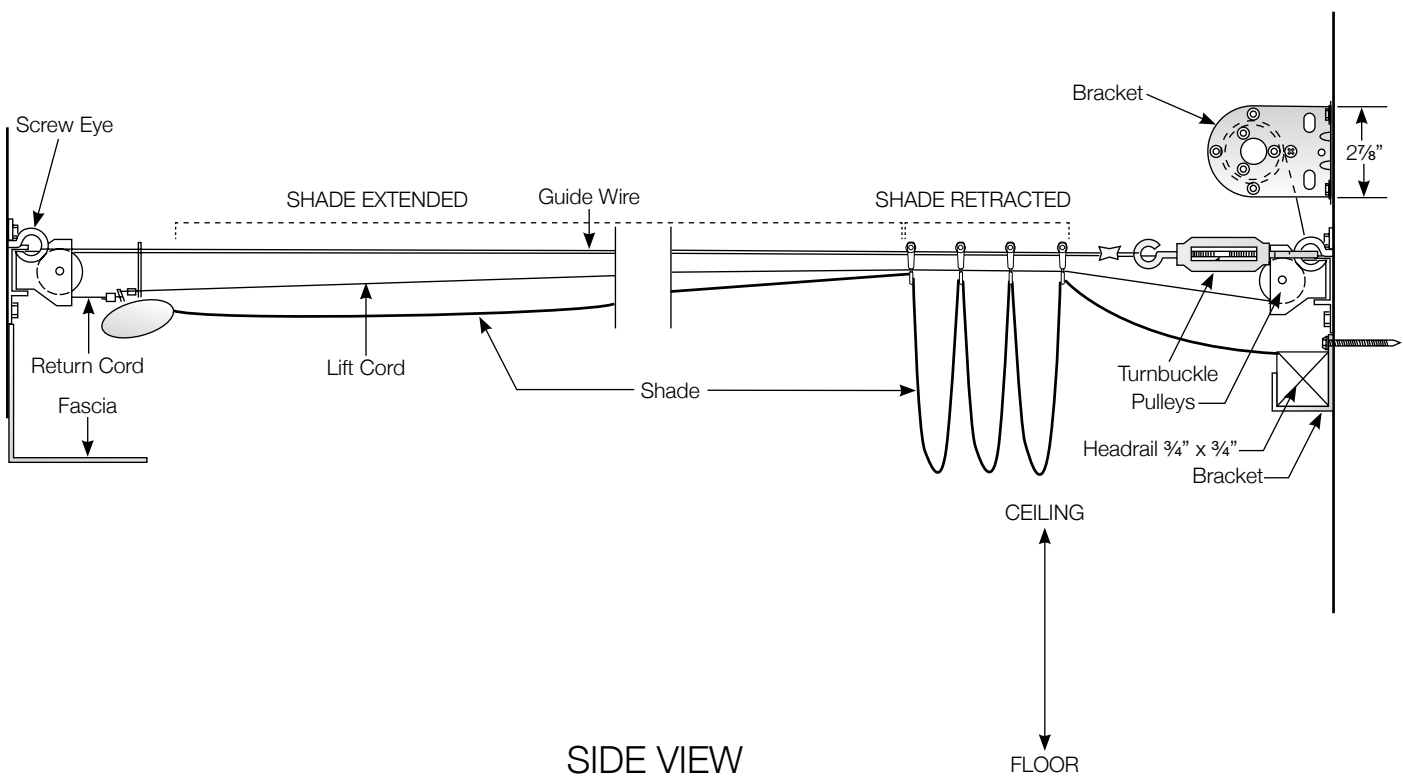
- N/A

LIGHT CONTROL CHANNEL

- N/A

ASSEMBLY OPTION

- Series 50 Motor,
Skylight application,
Horizontal



TRACKSTAR

Index No. 7.5.2



At a glance...

SHADE STYLE

- Trackstar

LIFTING SYSTEM

- Series 50 Motor

HEM STYLE

- Lift Rail, Oval Hem Bar

VALANCE

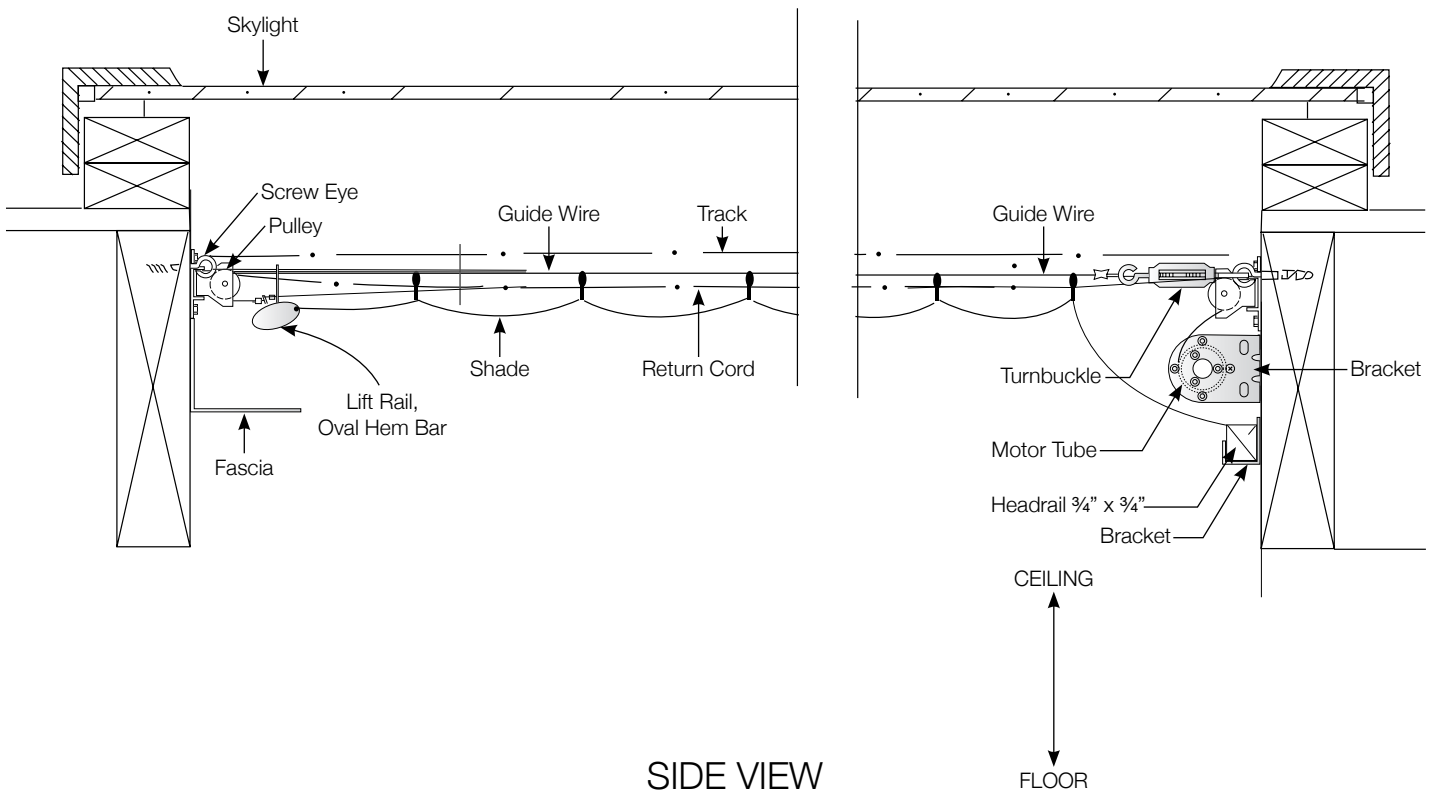
- N/A

LIGHT CONTROL CHANNEL

- N/A

ASSEMBLY OPTION

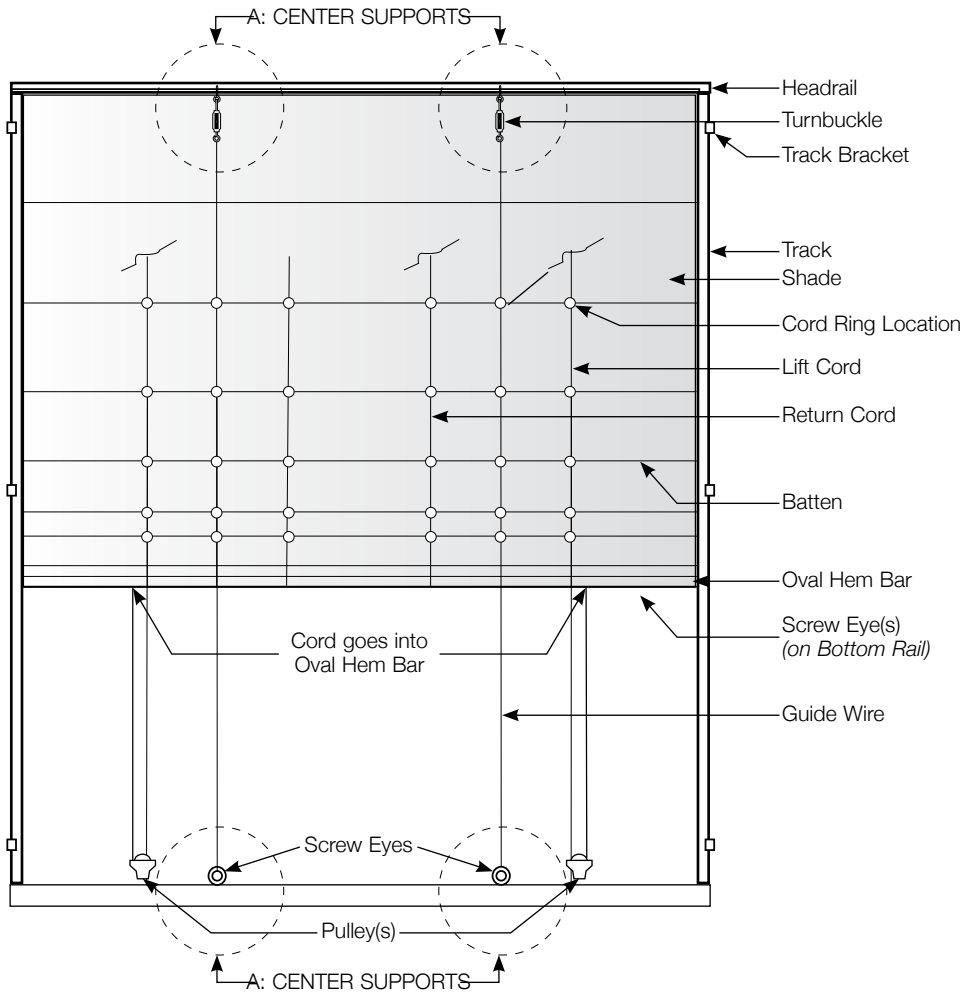
- Series 50 Motor,
Skylight application,
Horizontal



SIDE VIEW

TRACKSTAR

Index No. 7.5.4



At a glance...

SHADE STYLE

- Trackstar

LIFTING SYSTEM

- N/A

HEM STYLE

- Lift Rail, Oval Hem Bar

VALANCE

- N/A

LIGHT CONTROL CHANNEL

- N/A

ASSEMBLY OPTION

- Guide wire installation, Skylight application, Horizontal

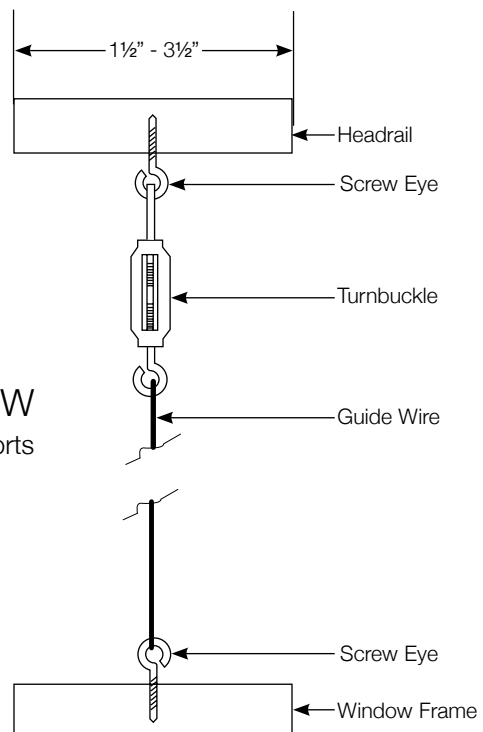
FRONT VIEW

(Floor looking up)

For very wide skylight applications.
Center and Guide Wire Support Detail.

CLOSE-UP VIEW

A: Center Supports



TRACKSTAR

Index No. 7.5.5



At a glance...

SHADE STYLE

- Trackstar

LIFTING SYSTEM

- Helireel™ Motor

HEM STYLE

- Lift Rail, Oval Hem Bar

VALANCE

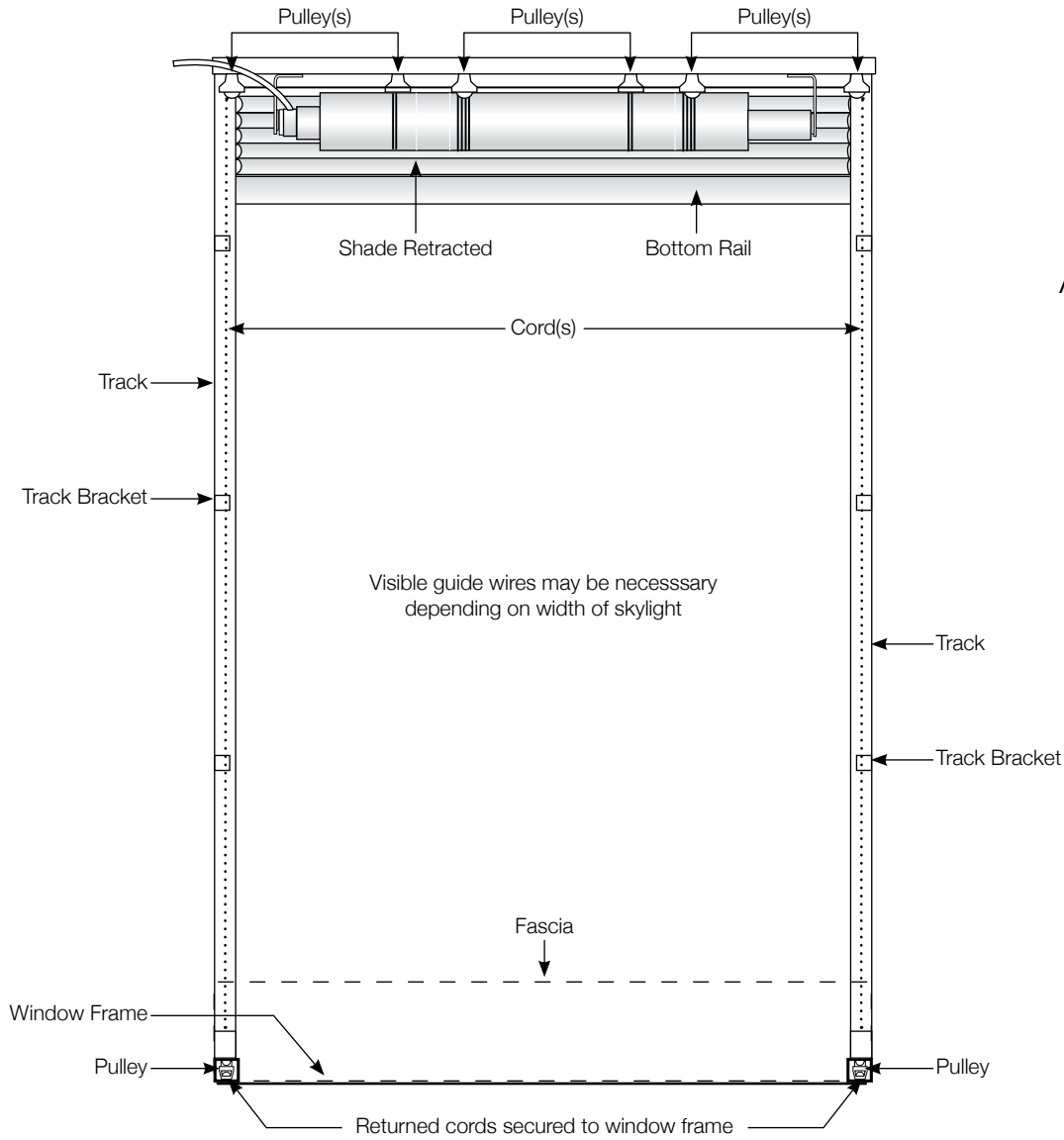
- 4040 Fascia

LIGHT CONTROL CHANNEL

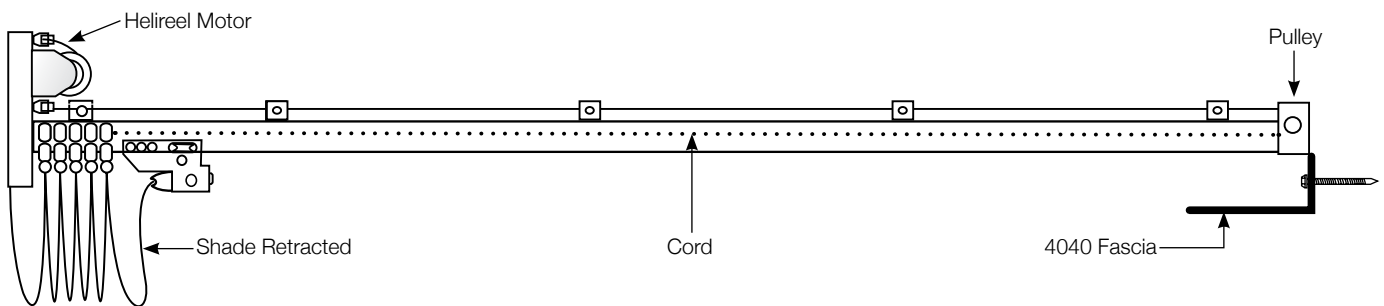
- N/A

ASSEMBLY OPTION

- Helireel™ Motor, Skylight application, Horizontal



BACK VIEW
(Window side)



SIDE VIEW

TRACKSTAR

Index No. 7.5.6



At a glance...

SHADE STYLE

- Trackstar,
Cord Configuration

LIFTING SYSTEM

- Series 50 Motor

HEM STYLE

- Not shown

VALANCE

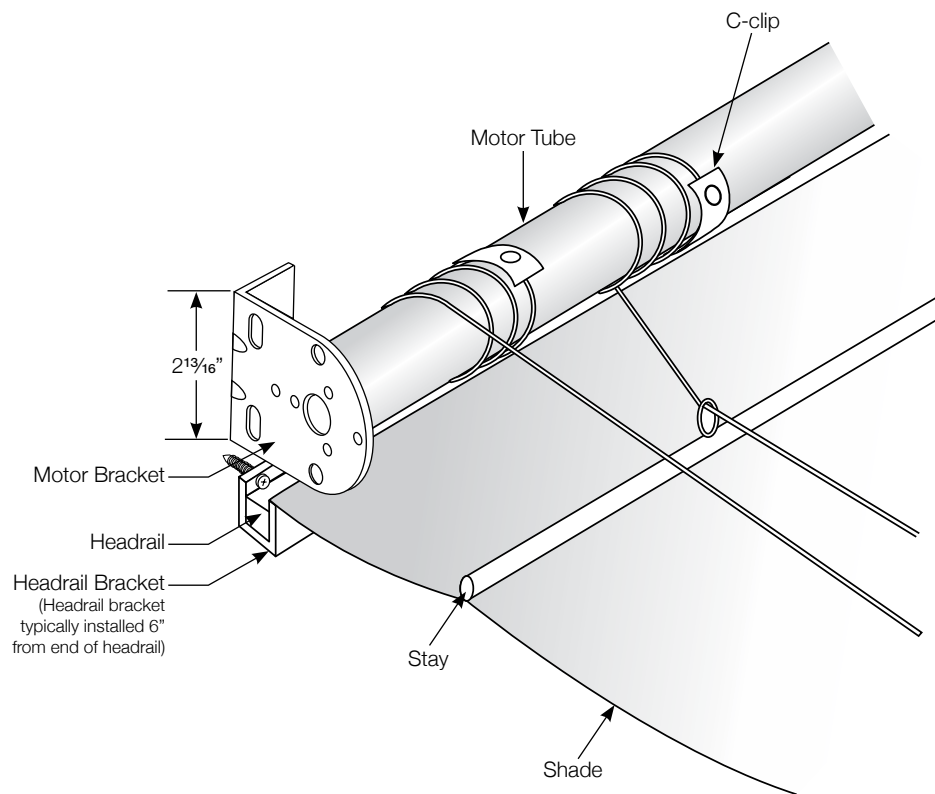
- N/A

LIGHT CONTROL CHANNEL

- N/A

ASSEMBLY OPTION

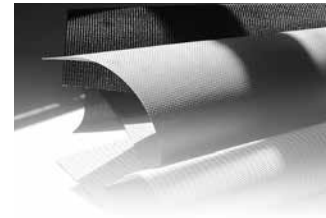
- N/A



BACK VIEW
(Window side)

TRACKSTAR

Index No. 7.5.7



At a glance...

SHADE STYLE

- Trackstar, Folding Skylight Shade

LIFTING SYSTEM

- Motorized, without guide wires

HEM STYLE

- Lift Rail, Oval Hem Bar

VALANCE

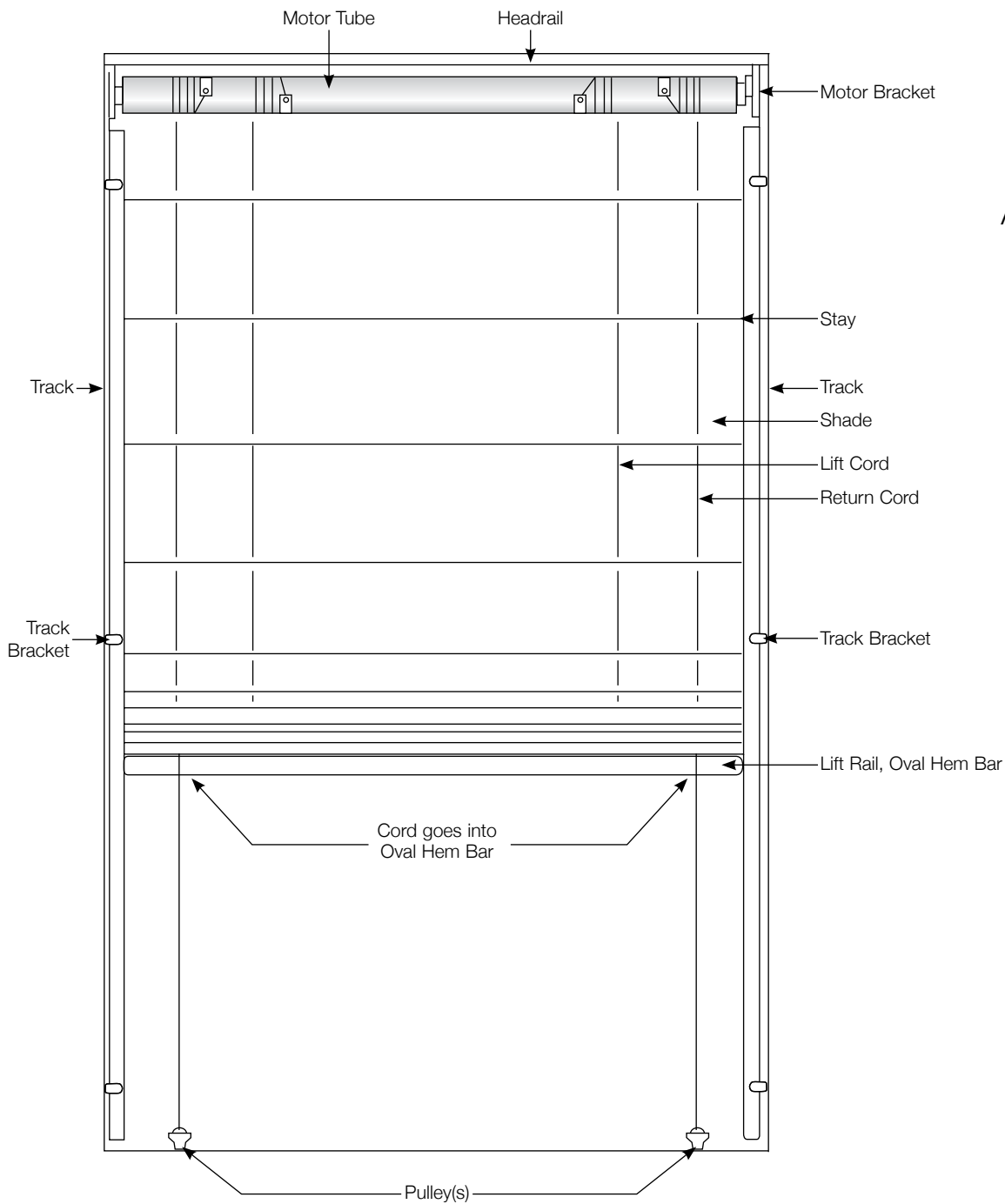
- N/A

LIGHT CONTROL CHANNEL

- N/A

ASSEMBLY OPTION

- N/A



FRONT VIEW
(Room side)