

fabritec
DESIGNS

Sunstar™

[Roll Shades for Regular, Vertical Windows]



Specification Sheets

[August 2017]

Table of Contents

[SUNSTAR SPECIFICATION SHEETS]

INDEX NO.	LIFTING SYSTEM	HEM STYLE	VALANCE	LIGHT CONTROL OPTION	ASSEMBLY OPTION	PAGE NO.
3.1.1	A. Cord & Cleat B. Chain & Clutch C. Series 400 Motor Battery & ST30 Motor D. Series 500 Motor	Hem Bar	Not Shown	N/A	N/A	1
3.1.1A	A. Cord & Cleat B. Chain & Clutch C. Series 400 Motor Battery & ST30 Motor D. Series 500 Motor	Hem Bar	Not Shown	N/A	N/A	2
3.1.2	Cord & Cleat	Lift Rail	Fabric Valance Top	N/A	Top Down Shade	3
3.2.1	R16 or R24 Clutch - CCO	Hem Bar	Fabric Valance Top	N/A	Standard	4
3.2.1A	L40 or L45 Clutch - CCO	Hem Bar	Fabric Valance Top	N/A	Standard	5
3.2.2	R16 Clutch - CCO	Lift Rail	Fabric Valance Top	N/A	Top Down Shade	6
3.2.2A	L40 Clutch - CCO	Lift Rail	Fabric Valance Top	N/A	Top Down Shade	7
3.2.3	A. R16 Clutch - CCO for Bottom Up Operation B. Cord & Cleat for Top Down Operation	Hem Bar	Fabric Valance Top	N/A	Top Down-Bottom Up Operation	8
3.2.3A	A. L40 Clutch - CCO for Bottom Up Operation B. Cord & Cleat for Top Down Operation	Hem Bar	Fabric Valance Top	N/A	Top Down-Bottom Up Operation	9

Table of Contents

[SUNSTAR SPECIFICATION SHEETS]

INDEX NO.	LIFTING SYSTEM	HEM STYLE	VALANCE	LIGHT CONTROL OPTION	ASSEMBLY OPTION	PAGE NO.
3.2.4	R16 Clutch - CCO	Hem Bar	Fabric Valance Top	N/A	Standard	10
3.2.4A	L40 Clutch - CCO	Hem Bar	Fabric Valance Top	N/A	Standard	11
3.5.1	Series 500 Motor (in Bottom Tube)	Lift Rail	Fabric Valance Top	N/A	Top Down Shade	12
3.5.1A	Series 400 Motor (in Bottom Tube)	Lift Rail	Fabric Valance Top	N/A	Top Down Shade	13
3.5.2A	Manual or Motorized (Motorized shown)	Lift Rail	Fabric Valance Top	N/A	Top Down Shade, (Motor at Pulley Rail)	14

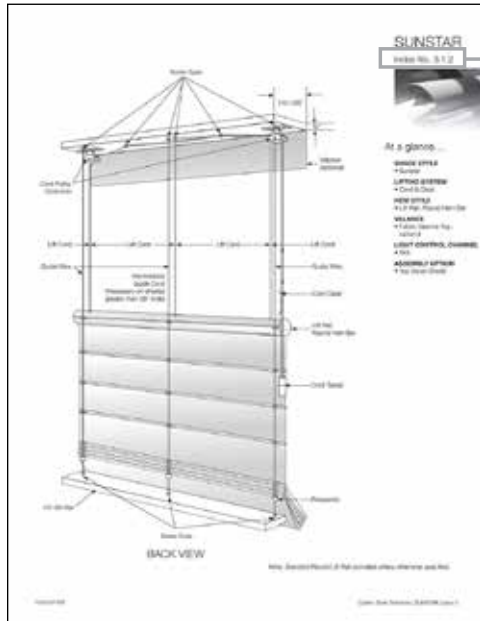
Understanding our Specification Sheets Numbering System

iv

UNDERSTANDING OUR SPECIFICATION SHEETS NUMBERING SYSTEM

Every Specification page has an Index Number on the top right hand corner below the Shade Style.

The illustration below explains our numbering system, and the chart below shows our naming systems for our Specification Sheets.



Index No. 3.1.2

The **first number** refers to our SHADE STYLE.

3 = Sunstar Shade

The **second number** is our LIFTING SYSTEM.

1 = Cord & Cleat

The **last number** is a SEQUENTIAL NUMBER in this series.

2 = Sequential Number

The above example means the illustration is a **SUNSTAR SHADE** with a **CORD & CLEAT LIFTING SYSTEM**.

SPECIFICATION SHEETS REFERENCE SYSTEM

SHADE STYLES The first number refers to our SHADE STYLE.	3 = Sunstar Shade
	4 = Curvilinear Trackstar
	5 = Rollstar Shade
	6 = Skystar (Skylight) Shade
	7 = Sloped or Horizontal Trackstar
LIFTING SYSTEMS The second number refers to our LIFTING SYSTEM.	1 = Cord and Cleat
	2 = Continuous Chain Operator (CCO) & Slide Winder
	3 = Wand Operator
	4 = Spring Roller
	5 = Motorization
	6 = Miscellaneous
The last number is a SEQUENTIAL NUMBER in this series.	1 through 99 = Sequential Numbers



At a glance...

SHADE STYLE

- Sunstar

LIFTING SYSTEM

- A: Cord & Cleat
- B: Chain & Clutch
- C: Series 400 Motor, Battery & ST30 Motor
- D: Series 500 Motor

HEM STYLE

- Round Hem Bar

VALANCE

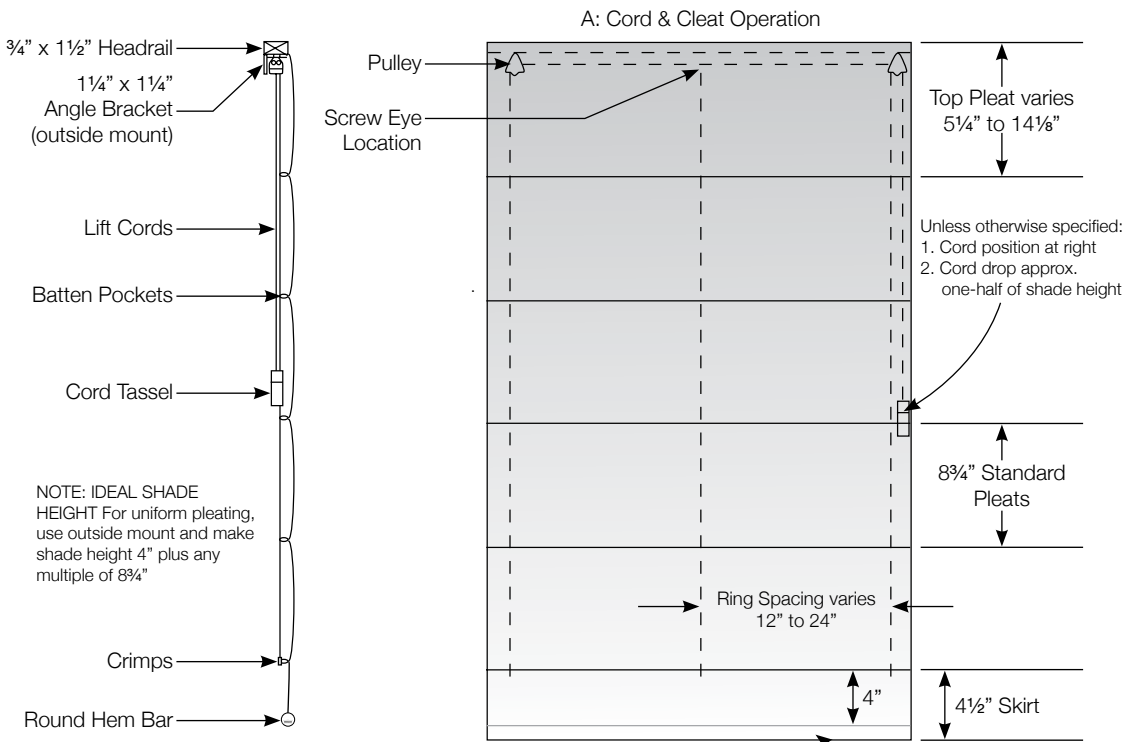
- Not shown

LIGHT CONTROL CHANNEL

- N/A

ASSEMBLY OPTION

- N/A

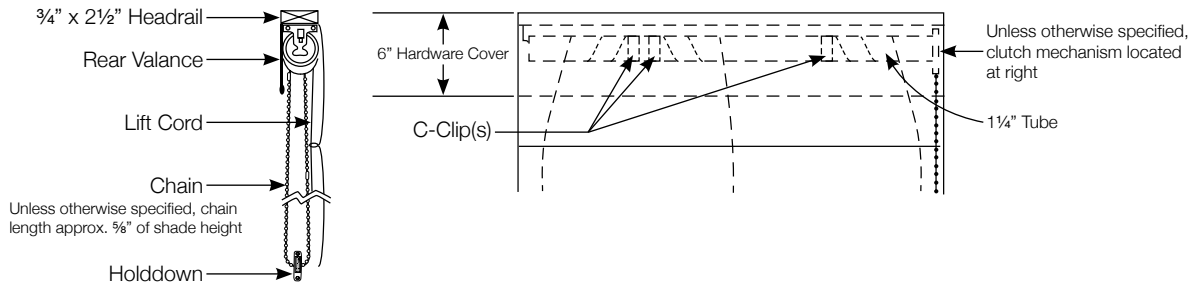


SIDE VIEW

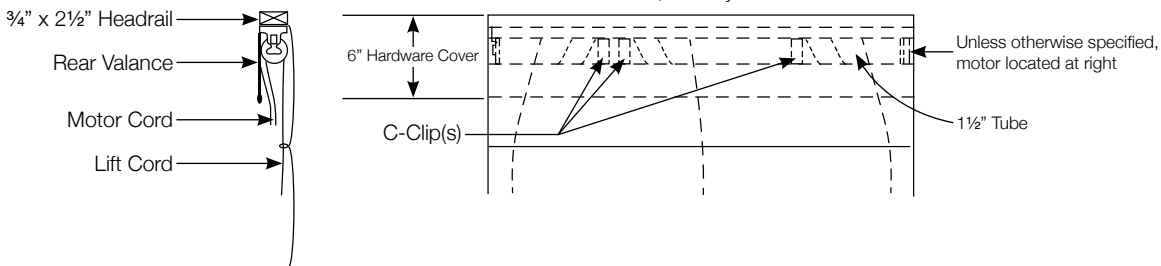
FRONT VIEW

(Window side)

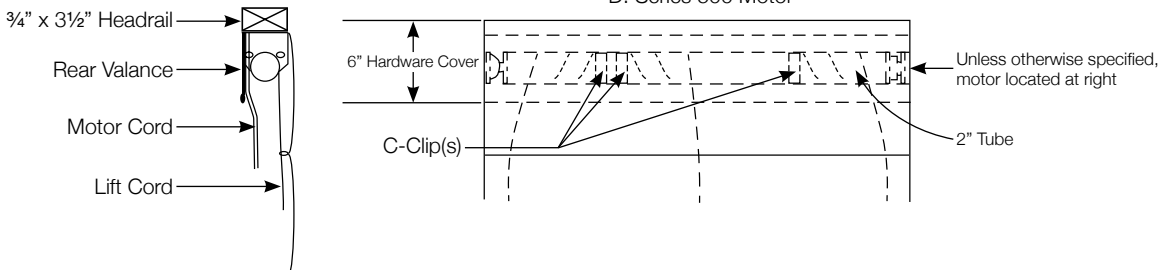
B: Chain and Clutch



C: Series 400, Battery & ST30 Motor



D: Series 500 Motor





At a glance...

SHADE STYLE

- Sunstar

LIFTING SYSTEM

- A: Cord & Cleat
- B: Chain & Clutch
- C: Series 400 Motor, Battery & ST30 Motor
- D: Series 500 Motor

HEM STYLE

- Round Hem Bar

VALANCE

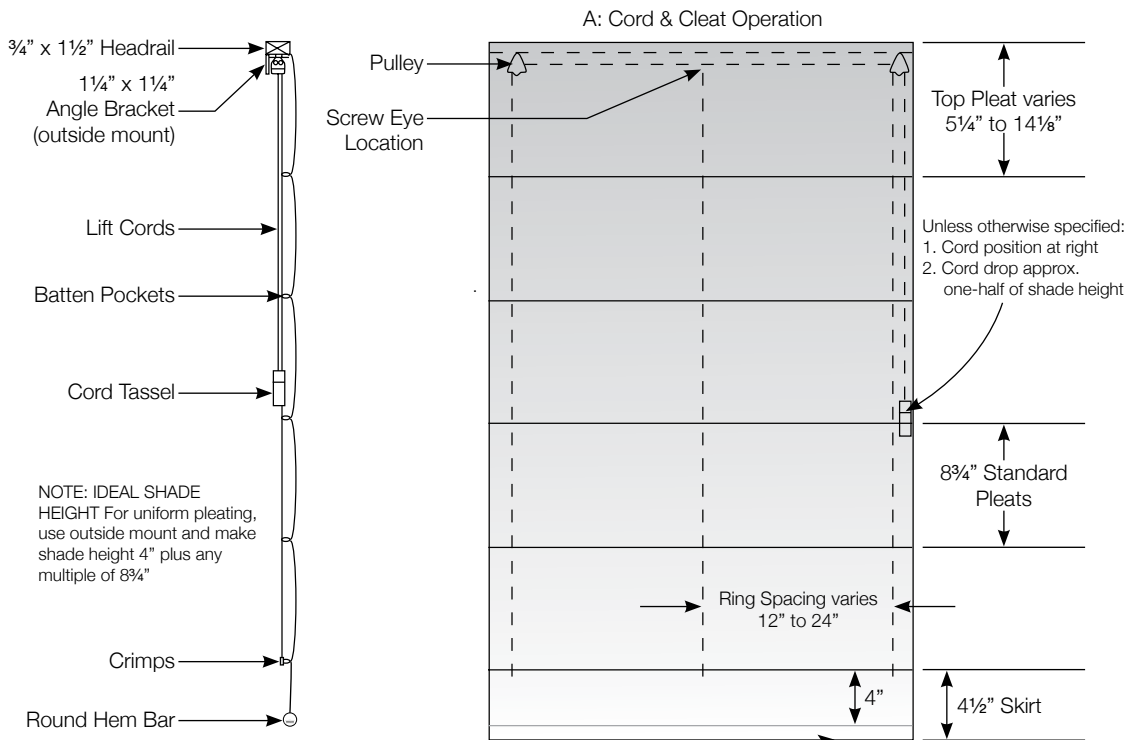
- Not shown

LIGHT CONTROL CHANNEL

- N/A

ASSEMBLY OPTION

- N/A

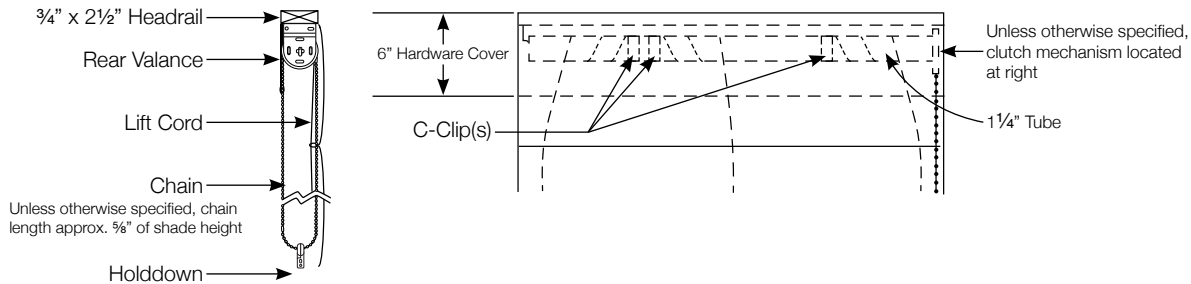


SIDE VIEW

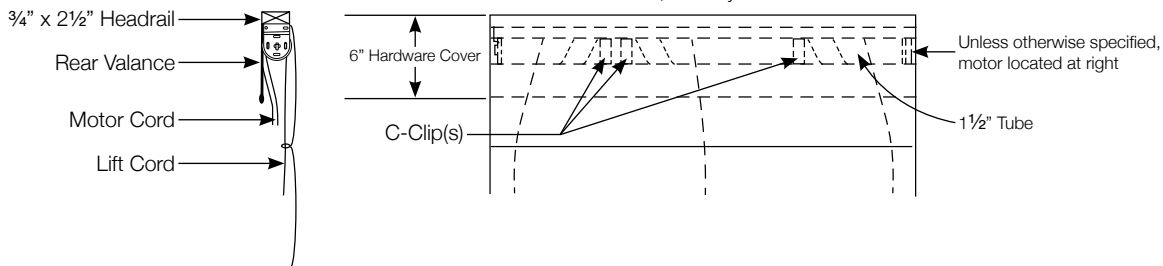
FRONT VIEW

(Window side)

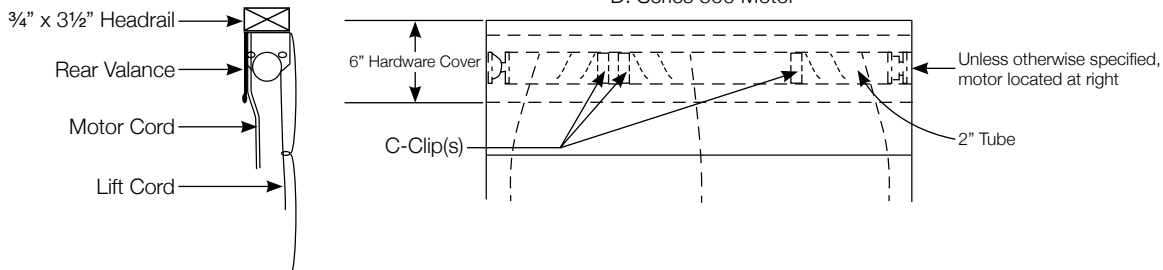
B: Chain and Clutch



C: Series 400, Battery & ST30 Motor



D: Series 500 Motor



SUNSTAR

Index No. 3.1.2



At a glance...

SHADE STYLE

- Sunstar

LIFTING SYSTEM

- Cord & Cleat

HEM STYLE

- Lift Rail, Round Hem Bar

VALANCE

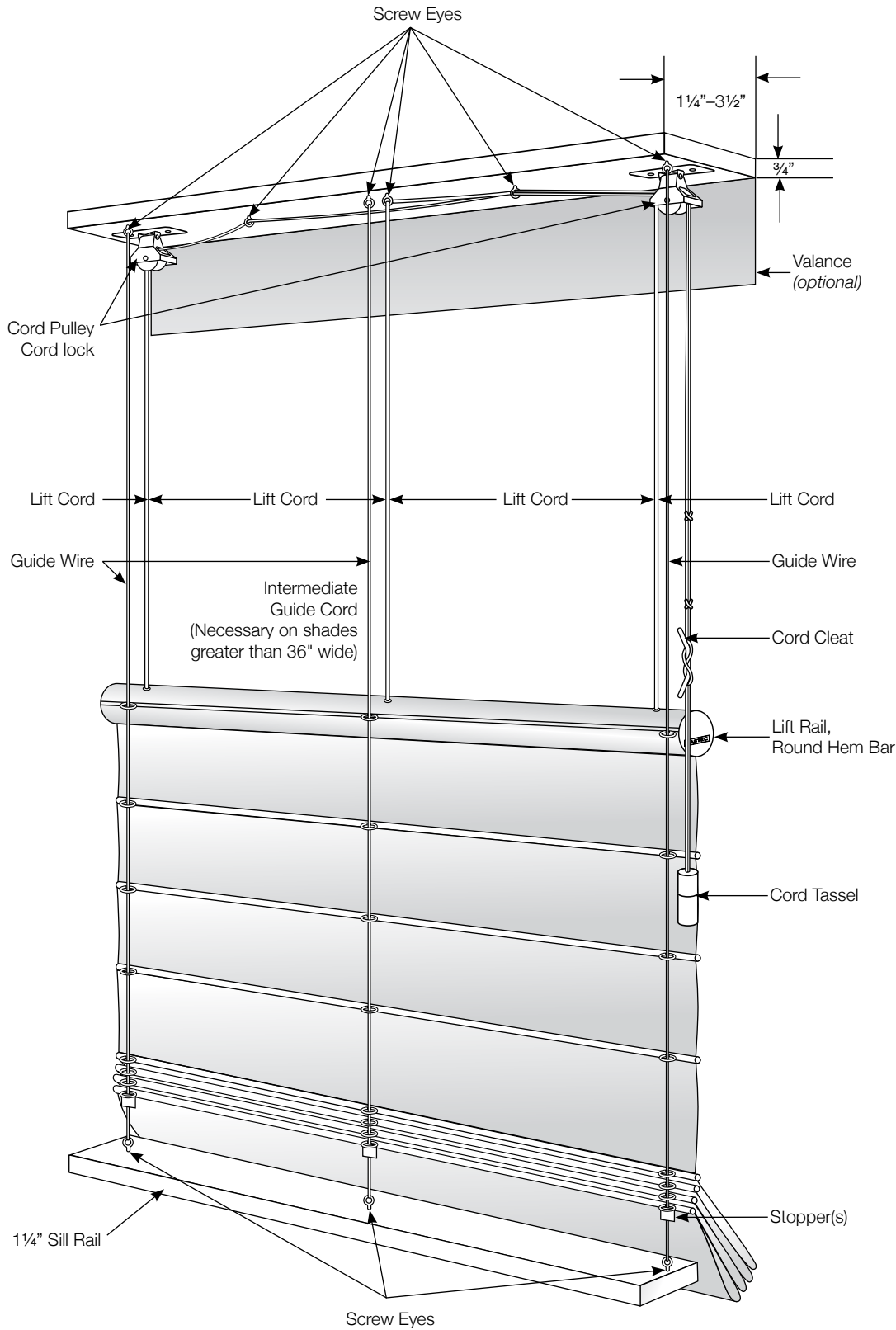
- Fabric Valance Top, optional

LIGHT CONTROL CHANNEL

- N/A

ASSEMBLY OPTION

- Top Down Shade



BACK VIEW

Note: Standard Round Lift Rail provided unless otherwise specified.

SUNSTAR

Index No. 3.2.1



At a glance...

SHADE STYLE

- Sunstar

LIFTING SYSTEM

- R16 or R24 Clutch - Continuous Chain Operator

HEM STYLE

- Round Hem Bar

VALANCE

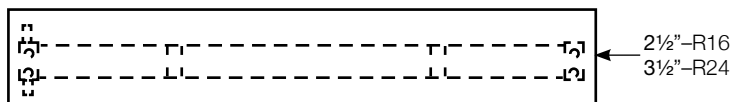
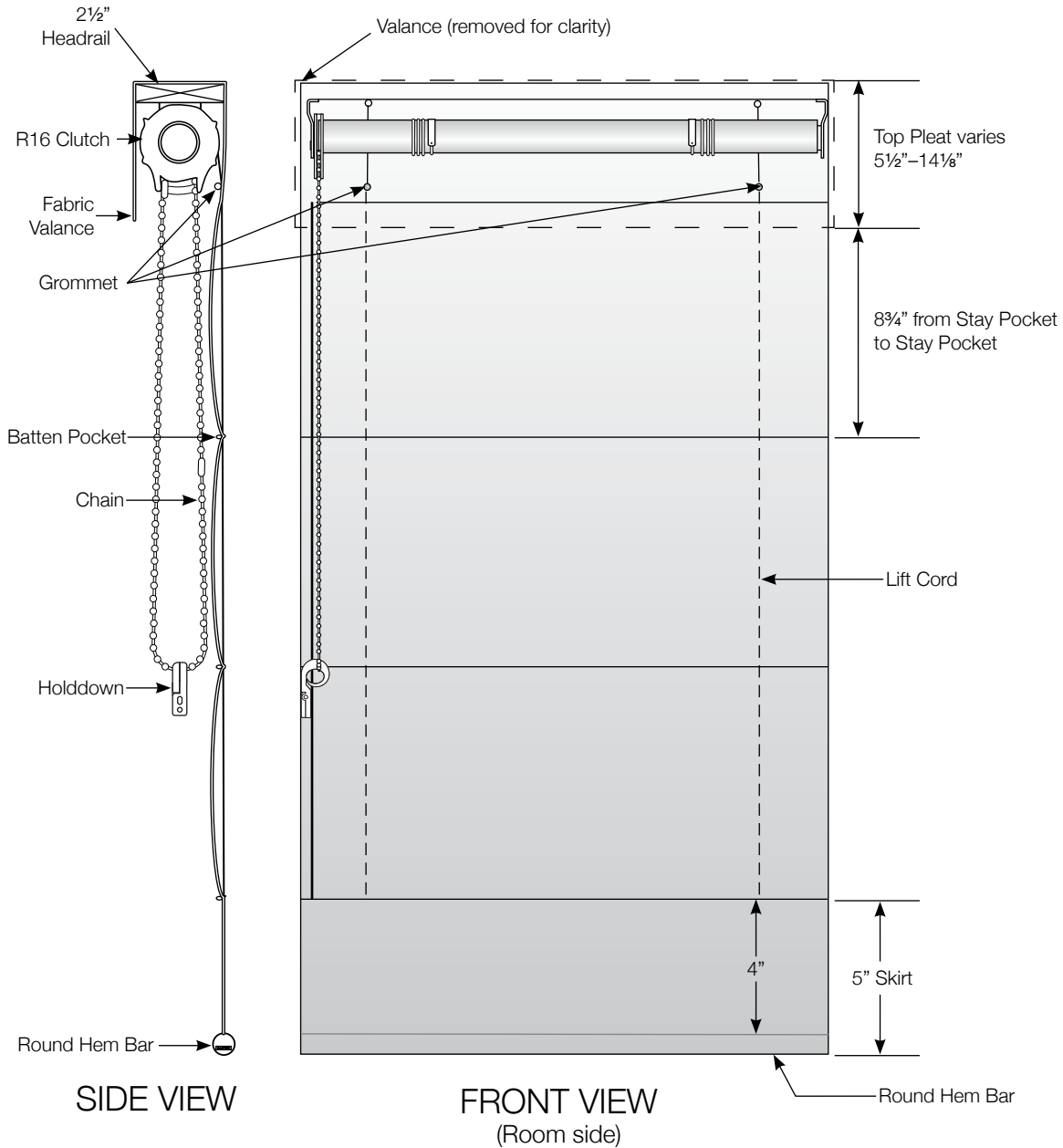
- Fabric Valance Top, optional

LIGHT CONTROL CHANNEL

- N/A

ASSEMBLY OPTION

- Standard



TOP VIEW

SUNSTAR

Index No. 3.2.1A



At a glance...

SHADE STYLE

- Sunstar

LIFTING SYSTEM

- L40 or L45 Clutch - Continuous Chain Operator

HEM STYLE

- Round Hem Bar

VALANCE

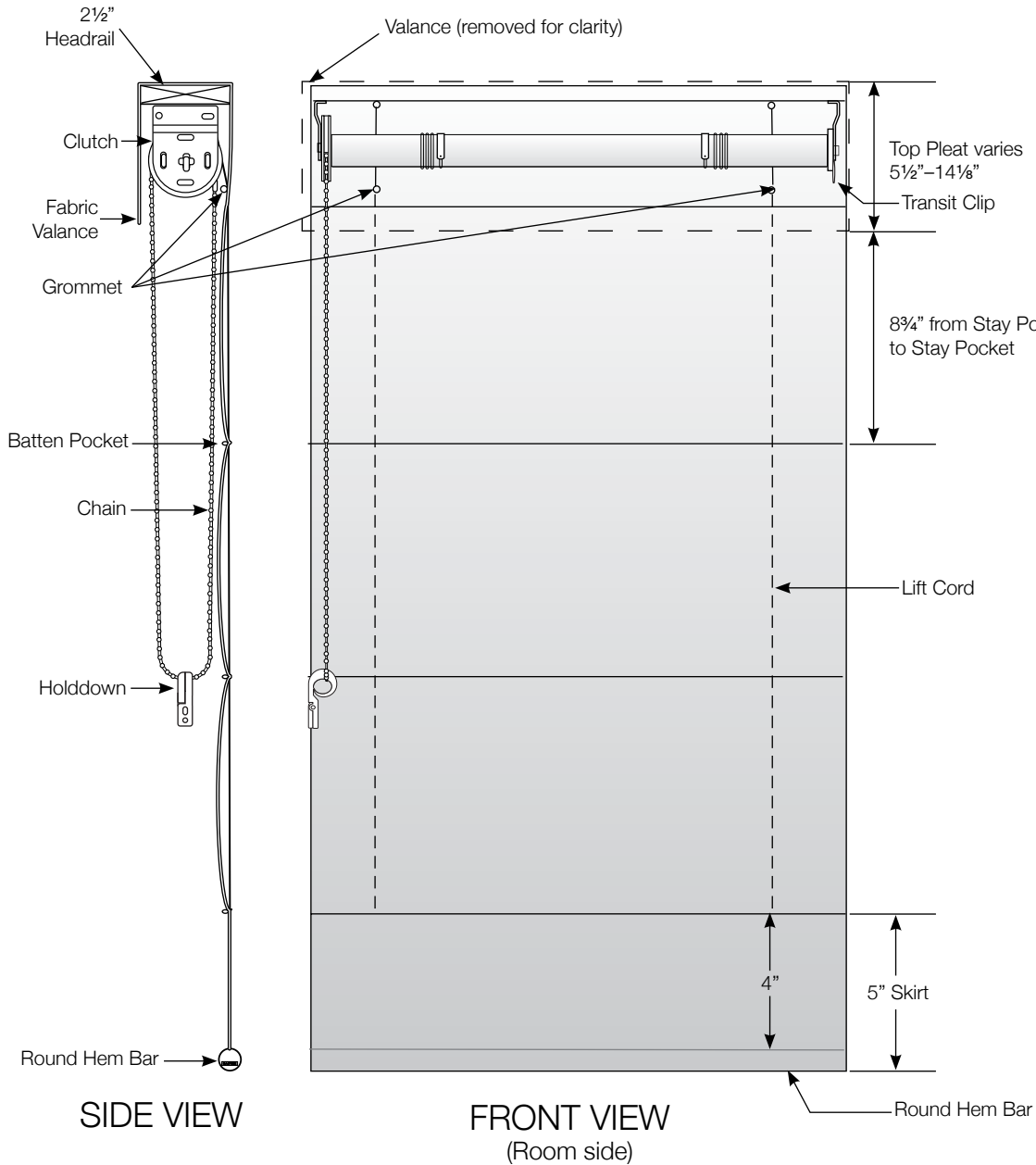
- Fabric Valance Top, optional

LIGHT CONTROL CHANNEL

- N/A

ASSEMBLY OPTION

- Standard



SUNSTAR

Index No. 3.2.2



At a glance...

SHADE STYLE

- Sunstar

LIFTING SYSTEM

- R16 Clutch - Continuous Chain Operator

HEM STYLE

- Lift Rail, Round Hem Bar

VALANCE

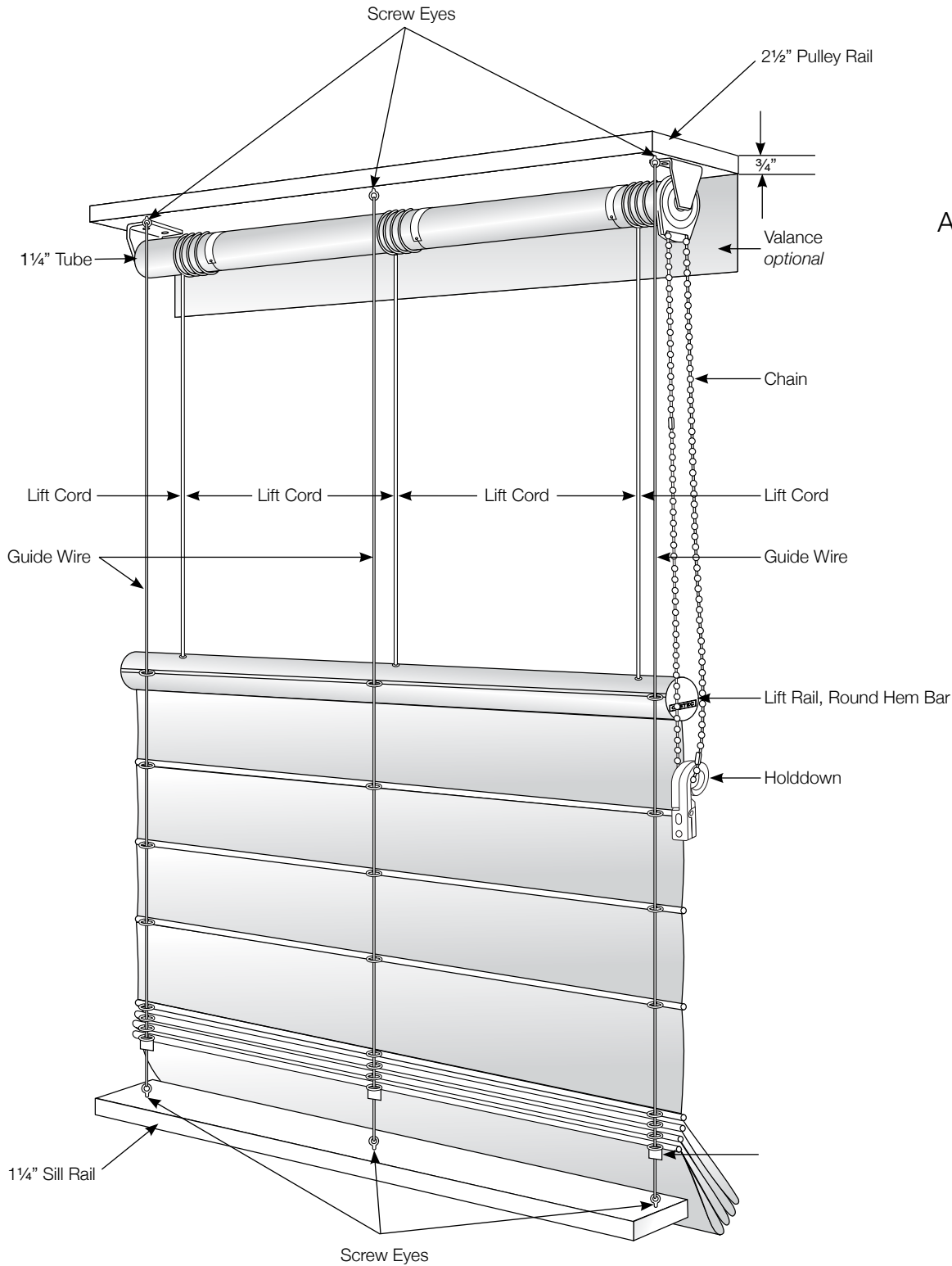
- Fabric Valance Top, optional

LIGHT CONTROL CHANNEL

- N/A

ASSEMBLY OPTION

- Top Down Shade



BACK VIEW
(Window side)

Note: Standard Round Lift Rail provided unless otherwise specified.

SUNSTAR

Index No. 3.2.2A



At a glance...

SHADE STYLE

- Sunstar

LIFTING SYSTEM

- L40 Clutch - Continuous Chain Operator

HEM STYLE

- Lift Rail, Round Hem Bar

VALANCE

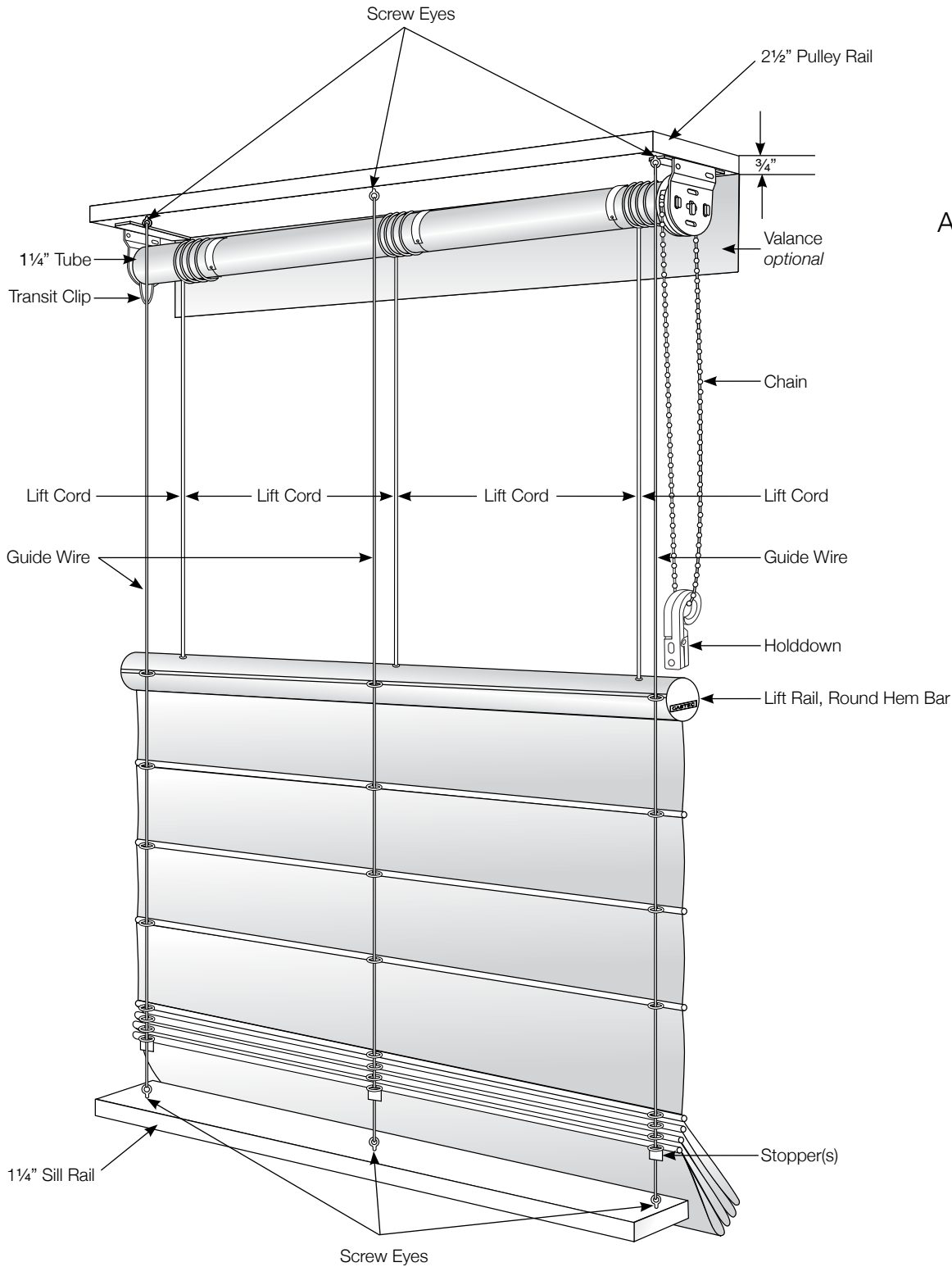
- Fabric Valance Top, optional

LIGHT CONTROL CHANNEL

- N/A

ASSEMBLY OPTION

- Top Down Shade



BACK VIEW
(Window side)

Note: Standard Round Lift Rail provided unless otherwise specified.

SUNSTAR

Index No. 3.2.3



At a glance...

SHADE STYLE

- Sunstar

LIFTING SYSTEM

- R16 Clutch - Continuous Chain Operator for Bottom Up Operation
- Cord & Cleat for Top Down Operation

HEM STYLE

- Round Hem Bar

VALANCE

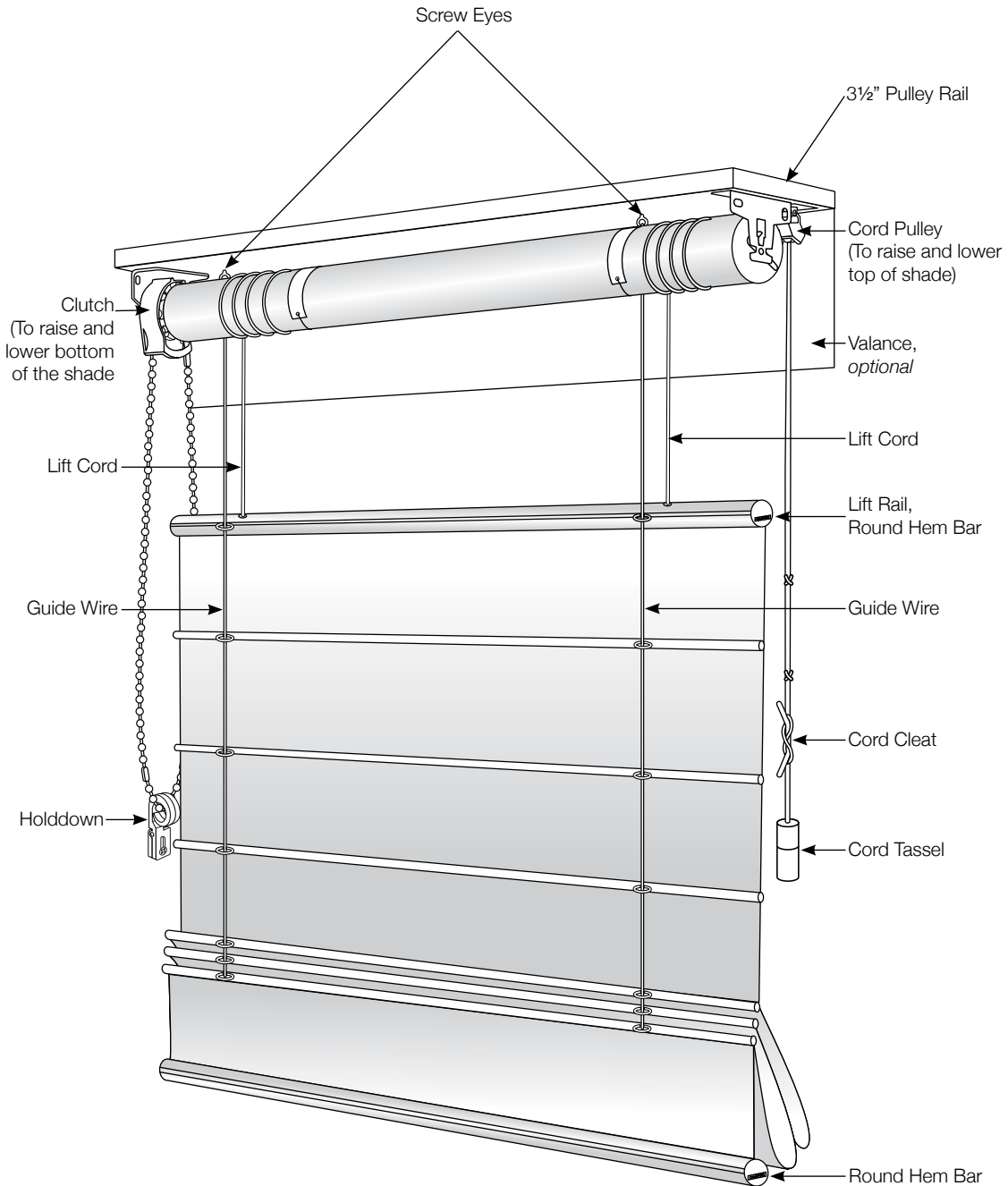
- Fabric Valance Top, optional

LIGHT CONTROL CHANNEL

- N/A

ASSEMBLY OPTION

- Top Down-Bottom Up Operation



BACK VIEW
(Window side)

Note: Standard Round Lift Rail provided unless otherwise specified.

SUNSTAR

Index No. 3.2.3A



At a glance...

SHADE STYLE

- Sunstar

LIFTING SYSTEM

- L40 Clutch - Continuous Chain Operator for Bottom Up Operation
- Cord & Cleat for Top Down Operation

HEM STYLE

- Round Hem Bar

VALANCE

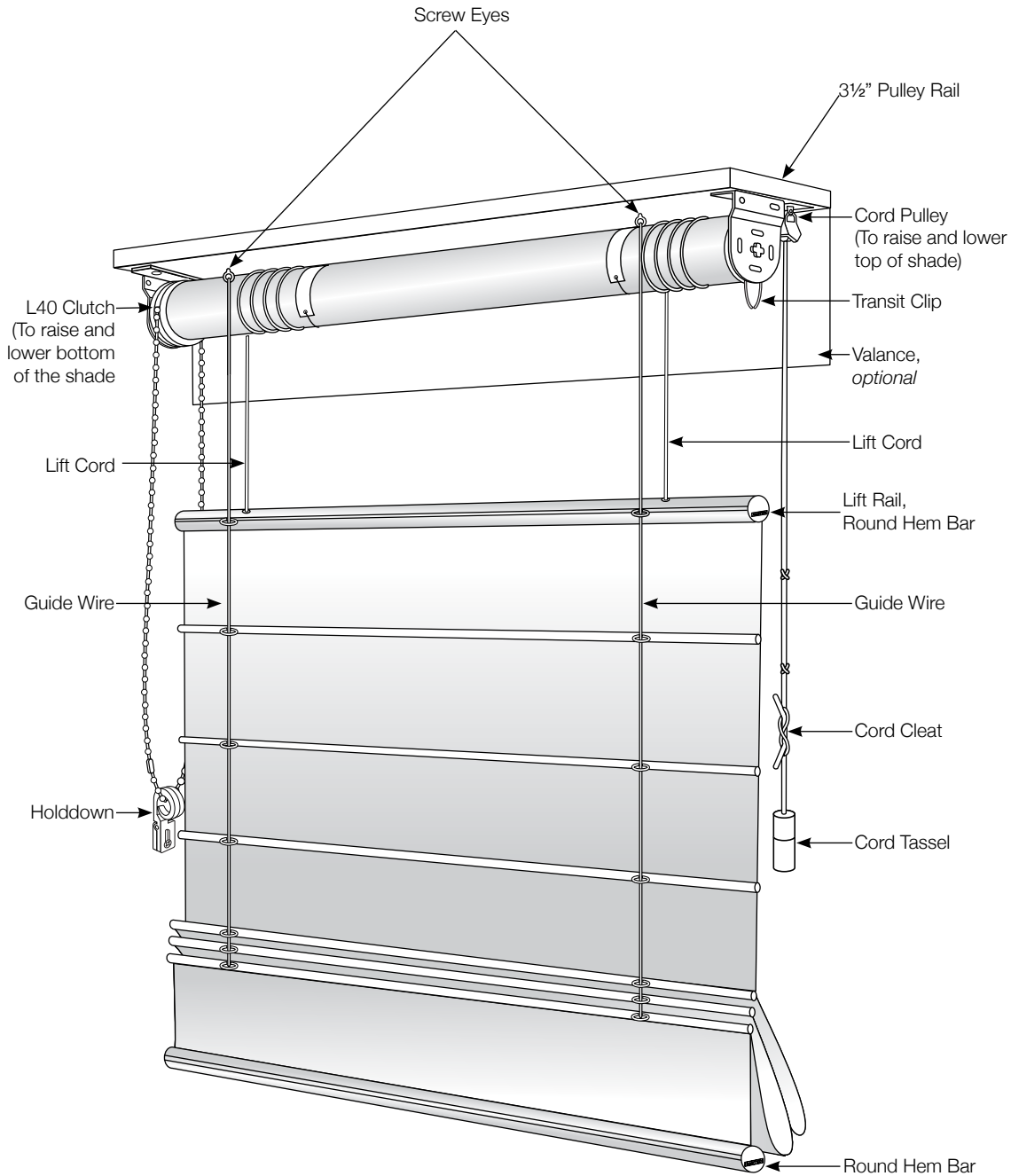
- Fabric Valance Top, optional

LIGHT CONTROL CHANNEL

- N/A

ASSEMBLY OPTION

- Top Down-Bottom Up Operation



BACK VIEW
(Window side)

Note: Standard Round Lift Rail provided unless otherwise specified.

SUNSTAR

Index No. 3.2.4



At a glance...

SHADE STYLE

- Sunstar

LIFTING SYSTEM

- R16 Clutch - Continuous Chain Operator

HEM STYLE

- Round Hem Bar

VALANCE

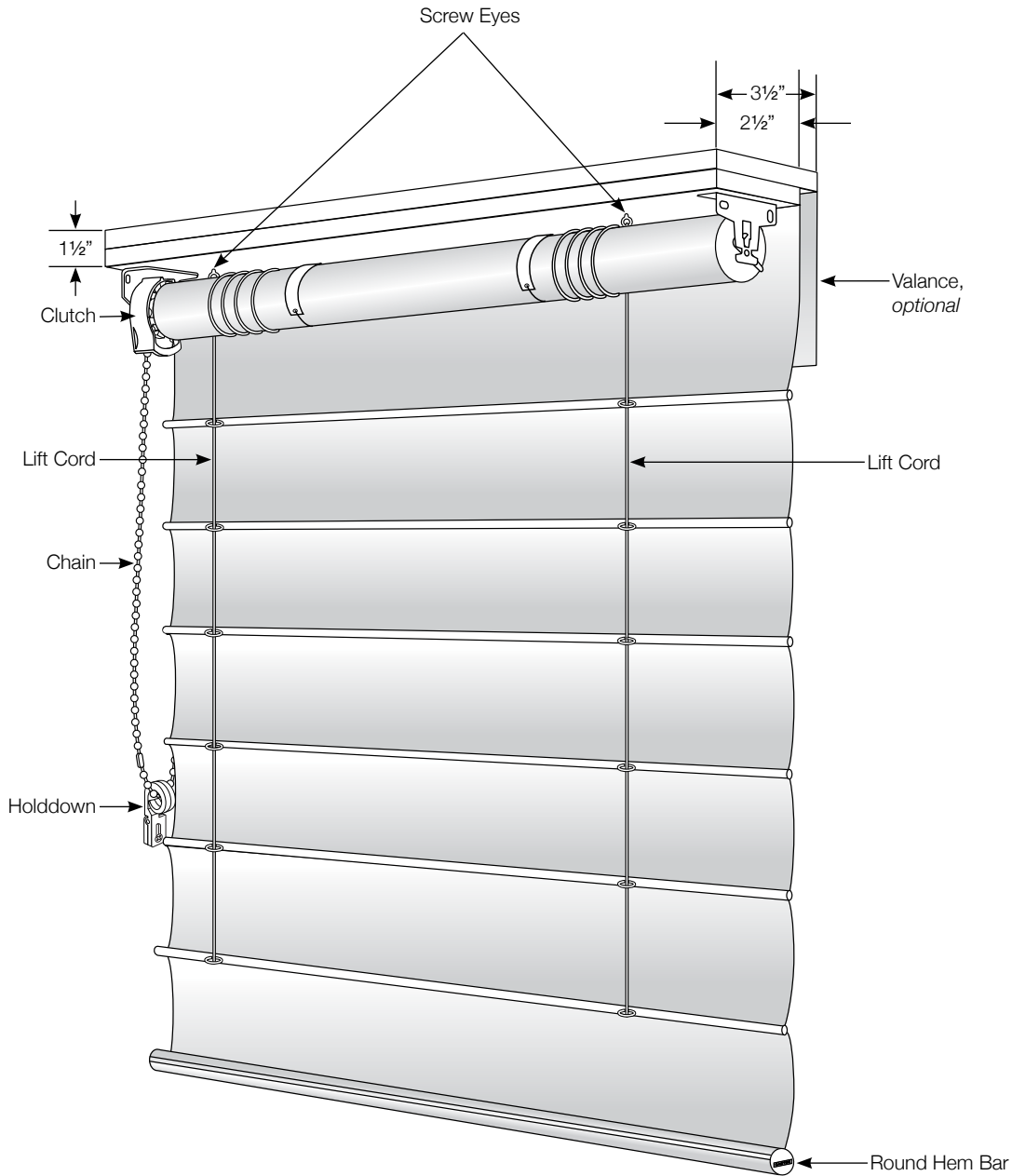
- Fabric Valance Top, optional

LIGHT CONTROL CHANNEL

- N/A

ASSEMBLY OPTION

- Standard



BACK VIEW
(Window side)

SUNSTAR

Index No. 3.2.4A



At a glance...

SHADE STYLE

- Sunstar

LIFTING SYSTEM

- L40 Clutch - Continuous Chain Operator

HEM STYLE

- Round Hem Bar

VALANCE

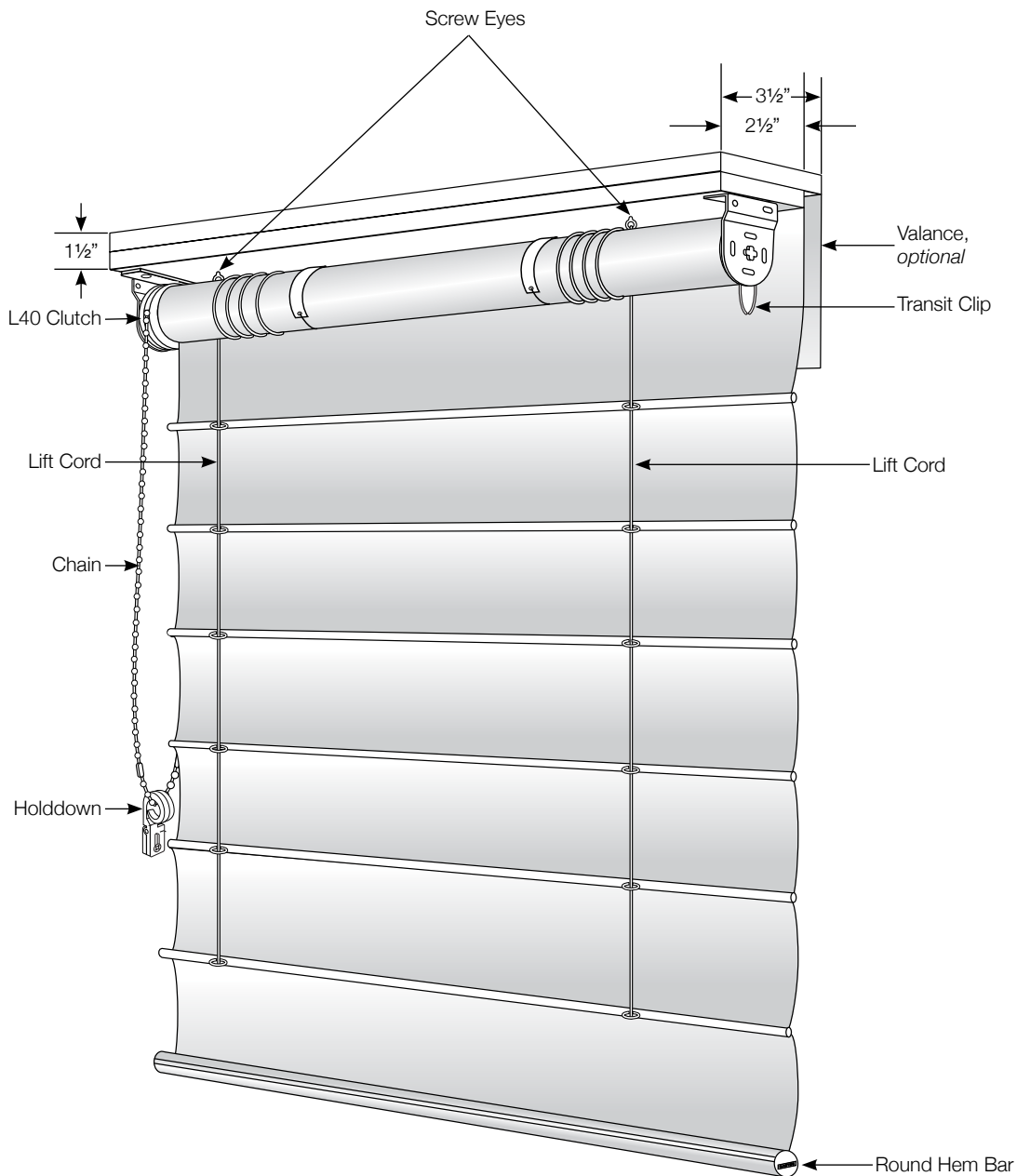
- Fabric Valance Top, optional

LIGHT CONTROL CHANNEL

- N/A

ASSEMBLY OPTION

- Standard



BACK VIEW
(Window side)

SUNSTAR

Index No. 3.5.1



At a glance...

SHADE STYLE

- Sunstar

LIFTING SYSTEM

- Series 500 Motor (in Bottom Tube)

HEM STYLE

- Lift Rail, Round Hem Bar

VALANCE

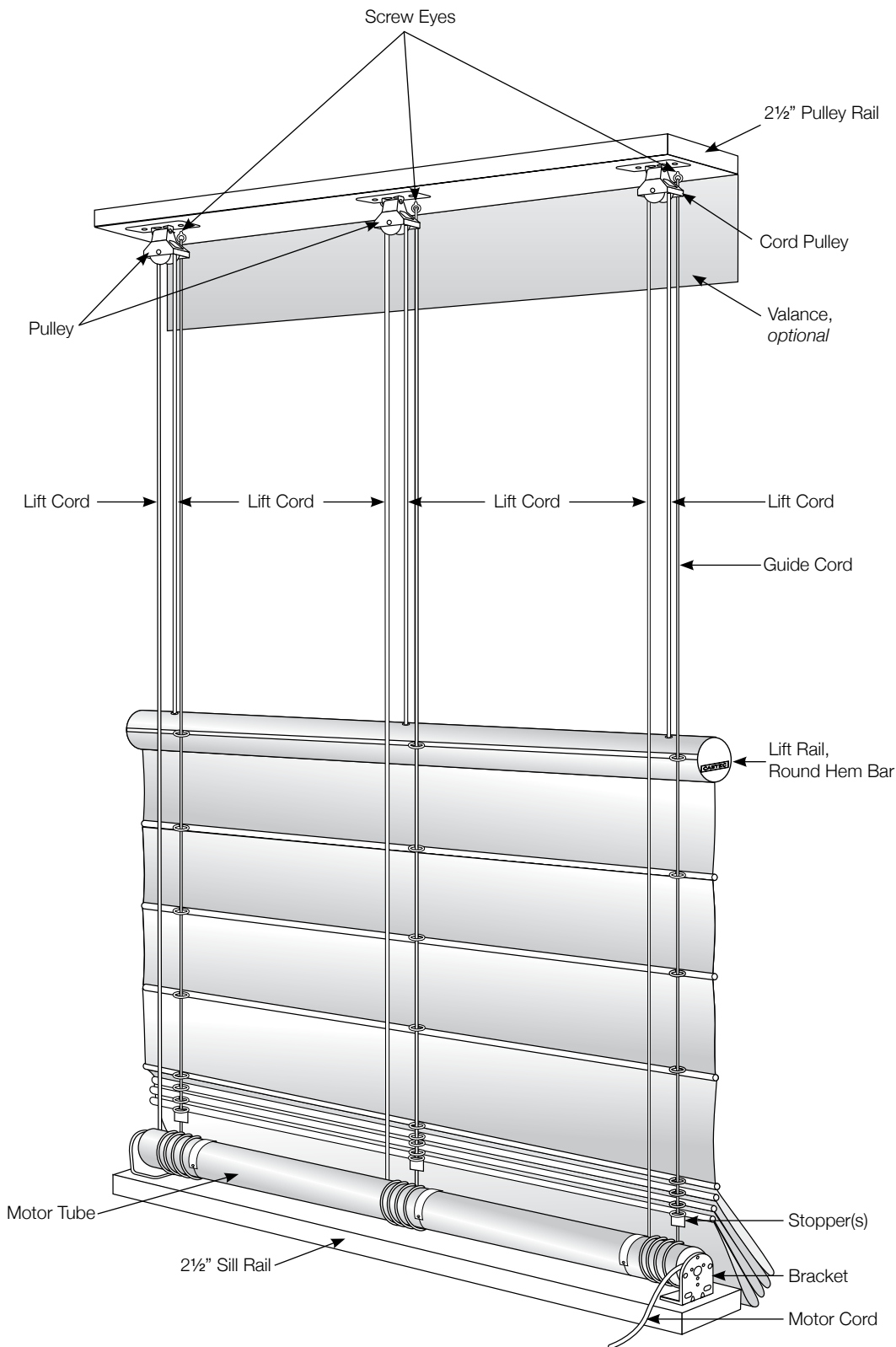
- Fabric Valance Top, optional

LIGHT CONTROL CHANNEL

- N/A

ASSEMBLY OPTION

- Top Down Shade



BACK VIEW
(Window side)

Note: Standard Round Lift Rail provided unless otherwise specified.

SUNSTAR

Index No. 3.5.1A



At a glance...

SHADE STYLE

- Sunstar

LIFTING SYSTEM

- Series 400 Motor (in Bottom Tube)

HEM STYLE

- Lift Rail, Round Hem Bar

VALANCE

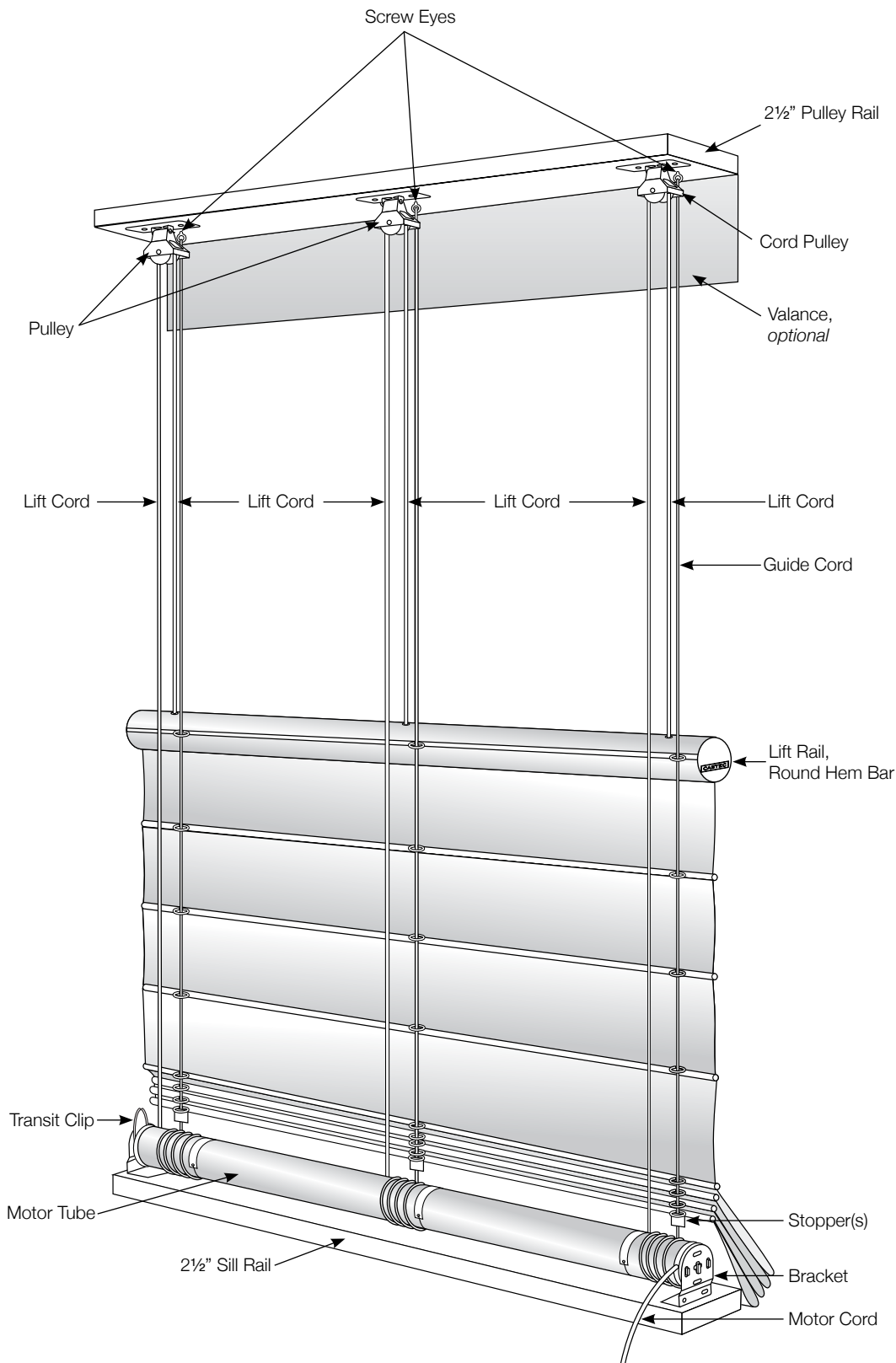
- Fabric Valance Top, optional

LIGHT CONTROL CHANNEL

- N/A

ASSEMBLY OPTION

- Top Down Shade



BACK VIEW
(Window side)

Note: Standard Round Lift Rail provided unless otherwise specified.

SUNSTAR

Index No. 3.5.2A



At a glance...

SHADE STYLE

- Sunstar

LIFTING SYSTEM

- Manual or Motorized (Motorized shown)

HEM STYLE

- Hem Pocket

VALANCE

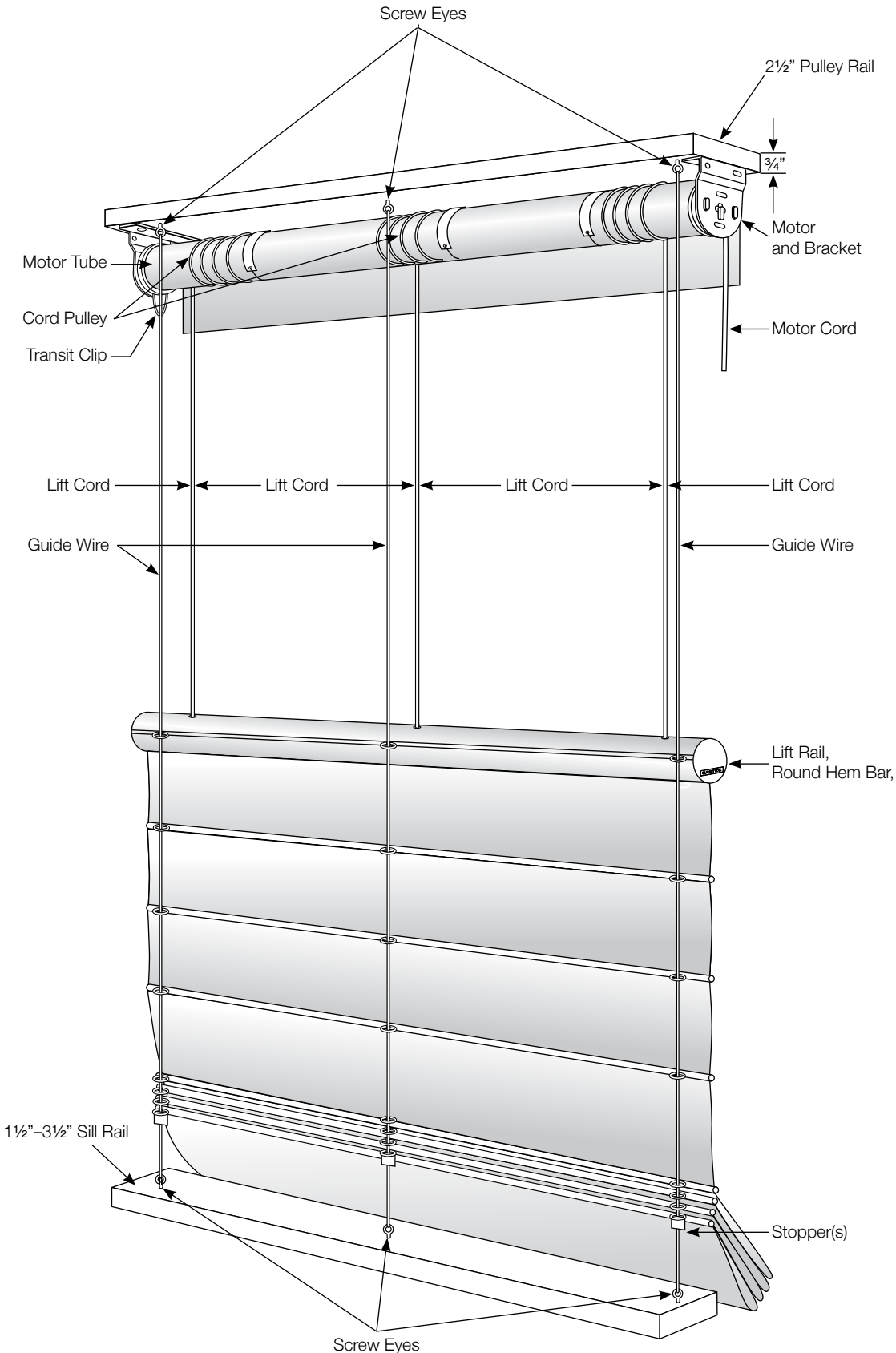
- Not shown

LIGHT CONTROL CHANNEL

- Not shown

ASSEMBLY OPTION

- Top Down Shade



Note: Standard Round Lift Rail provided unless otherwise specified.

BACK VIEW
(window side)