

fabritec
DESIGNS

Skystar™

[Roll Shades for Horizontal Skylight Windows]



Specification Sheets

[April 2015]

Table of Contents

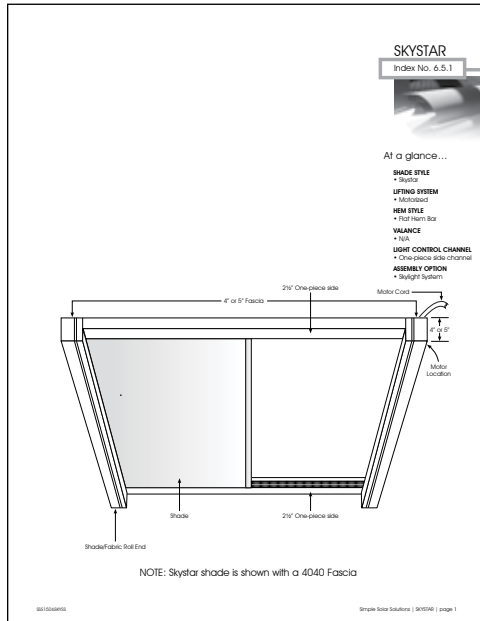
[SKYSTAR SPECIFICATION SHEETS]

INDEX NO.	LIFTING SYSTEM	HEM STYLE	VALANCE	LIGHT CONTROL OPTION	ASSEMBLY OPTION	PAGE NO.
6.5.1	Motorized	Hem Bar	N/A	One-Piece Side Channel	Skylight System	1

Understanding our Specification Sheets Numbering System iii

UNDERSTANDING OUR SPECIFICATION SHEETS NUMBERING SYSTEM

Every Specification page has an Index Number on the top right hand corner below the Shade Style. The illustration below explains our numbering system, and the chart below shows our naming systems for our Specification Sheets.



Index No. 6.5.1

The **first number** refers to our SHADE STYLE.
6 = Skystar Shade

The **second number** is our LIFTING SYSTEM.
5 = Motorization

The **last number** is a SEQUENTIAL NUMBER in this series.
1 = Sequential Number

The above example means the illustration is a SKYSTAR SHADE with a MOTORIZED SYSTEM.

SPECIFICATION SHEETS REFERENCE SYSTEM

SHADE STYLES The first number refers to our SHADE STYLE.	3 = Sunstar Shade
	4 = Curvilinear Trackstar
	5 = Rollstar Shade
	6 = Skystar (Skylight) Shade
	7 = Sloped or Horizontal Trackstar
LIFTING SYSTEMS The second number refers to our LIFTING SYSTEM.	1 = Cord and Cleat
	2 = Continuous Chain Operator (CCO) & Slide Winder
	3 = Wand Operator
	4 = Spring Roller
	5 = Motorization
	6 = Miscellaneous
The last number is a SEQUENTIAL NUMBER in this series.	1 through 99 = Sequential Numbers

SKYSTAR

Index No. 6.5.1



At a glance...

SHADE STYLE

- Skystar

LIFTING SYSTEM

- Motorized

HEM STYLE

- Flat Hem Bar

VALANCE

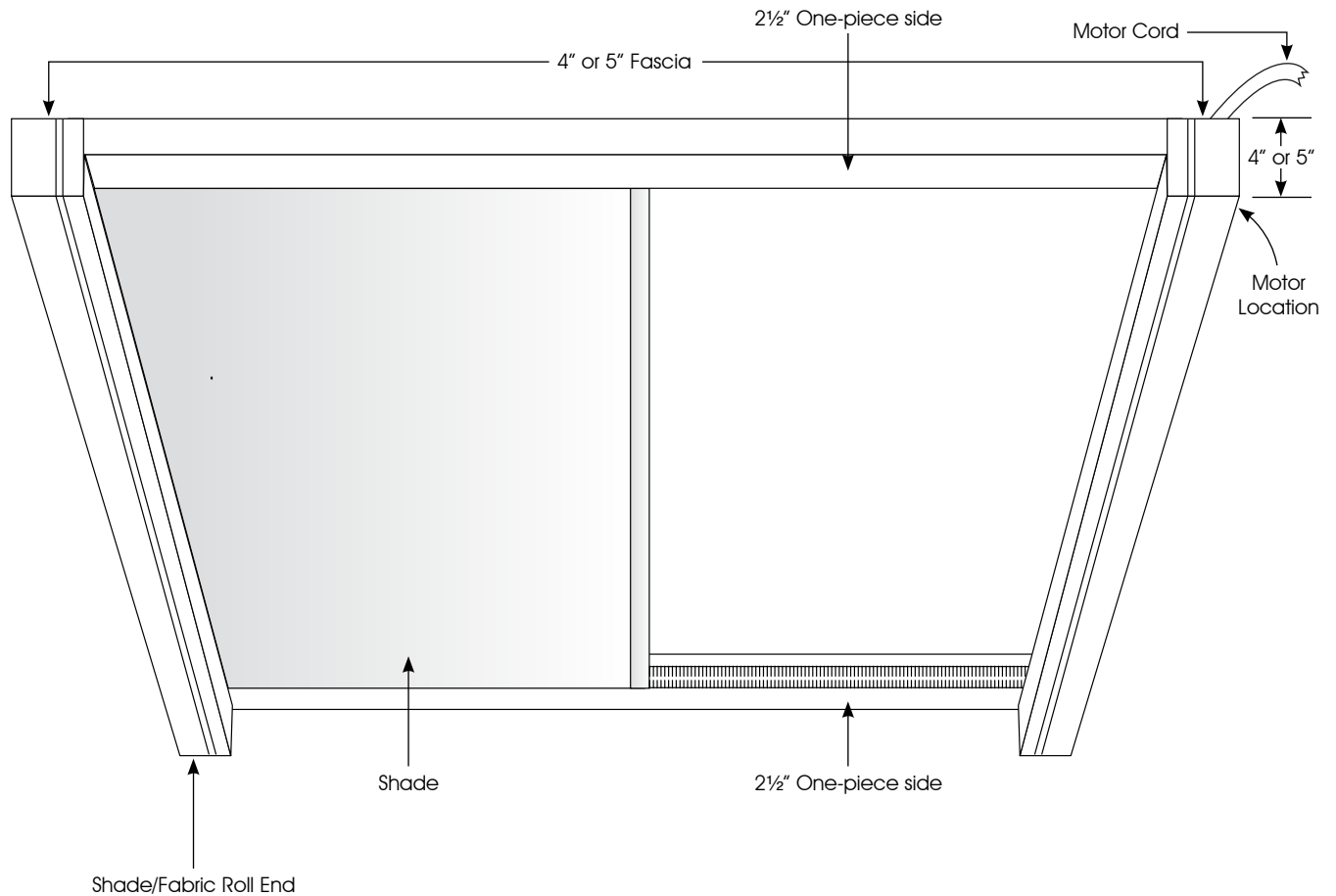
- N/A

LIGHT CONTROL CHANNEL

- One-piece side channel

ASSEMBLY OPTION

- Skylight System



NOTE: Skystar shade is shown with a 4040 Fascia