

REMOTE CONTROL MOTORIZED ROLLER SHADES

INSTALLATION INSTRUCTIONS



REMOTE CONTROL MOTORIZED ROLLER SHADES

INSTALLATION INSTRUCTIONS

Thank you for purchasing your new Remote Control Motorized Roller Shades. They have been custom-made from the highest quality materials to the dimensions you specified. With the proper installation and care, it will provide you with many years of beauty and trouble-free use.

Please read all instructions before you start so you will be familiar with the overall process.

Make sure you measure your window to ensure the motors and shades will fit properly before beginning.

Getting Started

Remove the motor and shade from the packaging.

Keep the packaging until you have successfully installed the motorized shade.

TOOLS REQUIRED.

- Pencil
- Awl
- Tape Measure
- Level
- Ladder or Stepstool
- Power Drill with the following bits:
 - 1/16" Drill Bit
 - 1/4" Hex Driver
 - Standard Screwdriver
 - Masonry Drill Bit (if drilling into concrete or brick)

PLEASE NOTE:

This is a **very powerful heavy motor** and **the brackets have to be secured and attached to wood studs.**

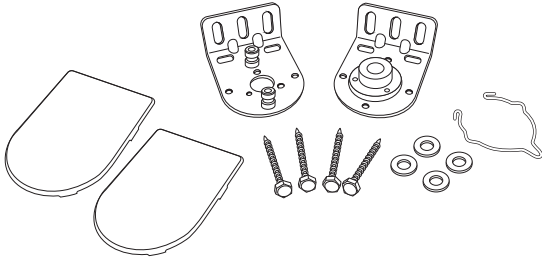
FASTENERS CANNOT BE USED!

Often, wood headers are found above the windows. If this is not possible, and you can't secure the shade brackets to the wood studs, then plan on using a Headbox.

Headbox brackets can be located and attached to the wood studs.

BEFORE YOU BEGIN, VERIFY THAT YOU HAVE ALL THE NECESSARY PARTS AND PIECES:

- **PACKAGE** - Contains an motor end bracket and a idler end bracket, two end caps, one retainer clip, four washers and four installation screws.



Illustrations, clockwise from top left:
End caps, Motor end bracket, Idler end bracket,
Retainer clip, Washers and Installation screws.

Mounting the Brackets and Shade

STEP 1 - INSTALLING THE BRACKETS.

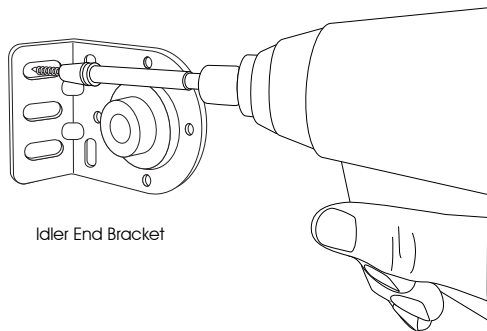
Note: There are **two different brackets**.

One for the idler end and one for the motor end. The idler end bracket and motor end bracket can be used for wall, ceiling, outside mount or inside mount installations.

The bracket to bracket dimension is the shade cloth width plus 1 7/8".

Use a level to ensure a horizontal position.

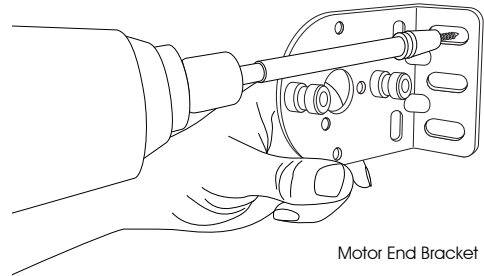
- a) Install the idler end bracket first.



STEP 1 - INSTALLING THE BRACKETS (continued).

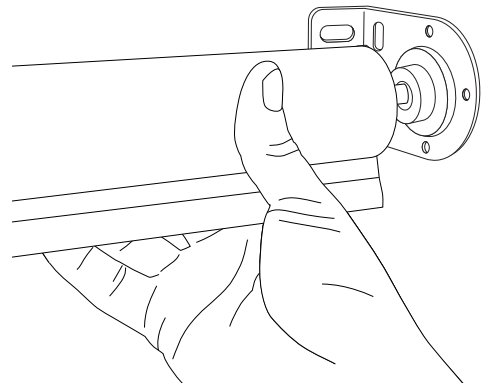
- b) Next, install and mount the motor end bracket.

See illustration below.

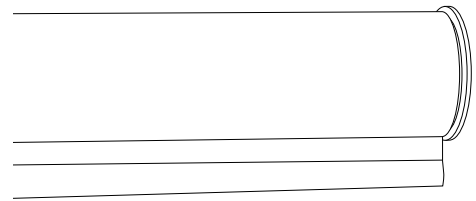


STEP 2 - INSTALLING THE IDLER END OF SHADE.

- a) Place the idler end into the idler end bracket.



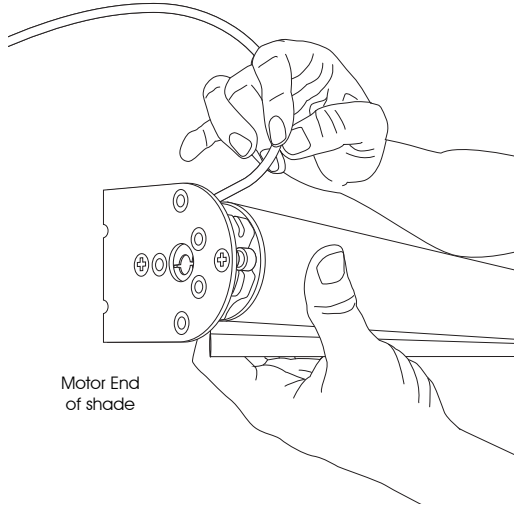
- b) Push the shaft until it is completely collapsed and snug against the idler end bracket.



STEP 3 - INSERT THE MOTOR END.

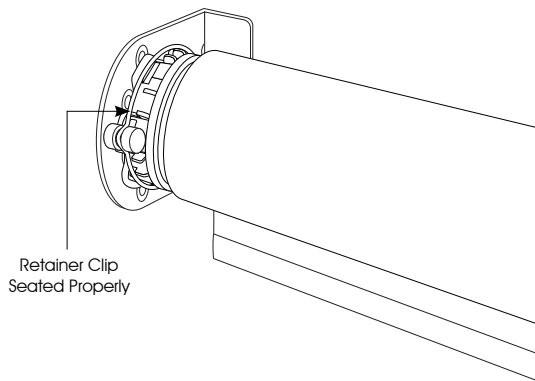
a) Slip the motor end into the bracket. Make sure the cord is positioned toward the back of the bracket.

While keeping the idler end in position, lift the shade up into the bracket easing the motor head into the motor end bracket.



b) After installing the motor end, slip the retainer clip onto the motor end. This prevents the motor from slipping out of its bracket.

Make sure the retainer clip sits in the bracket channel. See illustration below.



STEP 4 - CONNECT YOUR POWER SOURCE AND TEST THE SHADE.

Please note, your shades are preset at the factory.

If limit adjustments are required, refer to the programming instructions. These can be found in the remote controller shipping box.

STEP 5 - MOUNT REMOTE CONTROLLER HOLDER.

a) Mount your remote controller holder to the wall.

b) Insert your remote controller into the holder.

c) Congratulations, you are done!

Caring for your Remote Control Motorized Roller shades

Your Remote Control motorized roller shades will provide you with years of beauty and pleasure with minimal care and cleaning.

- Vacuum using a brush or dust head attachment.
- Dust lightly using a soft, clean cloth.
- Never immerse the motors or shades in water or liquids of any type.

.....

Note:

Call us at 800.828.2500 if you have any questions.

Fabritec, LLC.
7531 Coldwater Canyon Avenue
North Hollywood, CA 91605

t) 818.503.8300
f) 818.503.8360

www.castec.com
www.fabritecdesigns.com