

## SONESSE (Ultra Quiet) 506 MOTOR

### INSTALLATION INSTRUCTIONS



## SONESSE (Ultra Quiet) 506 MOTORS

### INSTALLATION INSTRUCTIONS

Thank you for purchasing your new Sonesse (Ultra Quiet) 506 Motor. They have been custom-made from the highest quality materials to the dimensions you specified. With the proper installation and care, it will provide you with many years of beauty and trouble-free use.

Please read all instructions before you start so you will be familiar with the overall process.

Make sure you measure your window to ensure the motors and shades will fit properly before beginning.

### Getting Started

Remove the motor and shade from the packaging.

Keep the packaging until you have successfully installed the motorized shade.

- Pencil
- Awl
- Tape Measure
- Level
- Ladder or Stepstool
- Power Drill with the following bits:
  - 1/16" Drill Bit
  - 1/4" Hex Driver
  - Standard Screwdriver
  - Masonry Drill Bit (if drilling into concrete or brick)

### PLEASE NOTE:

This is a **very powerful heavy motor** and **the brackets have to be secured and attached to wood studs.**

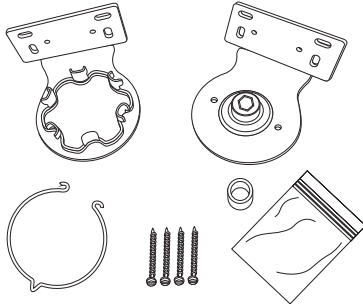
### FASTENERS CANNOT BE USED!

Often, wood headers are found above the windows. If this is not possible, and you can't secure the shade brackets to the wood studs, then plan on using a Headbox.

Headbox brackets can be located and attached to the wood studs.

BEFORE YOU BEGIN, VERIFY THAT YOU HAVE ALL THE NECESSARY PARTS AND PIECES:

- **PACKAGE** - Contains an idler end bracket and a motor end bracket, one retainer clip, one idler ring spacer and four installation screws.



Illustrations, clockwise from top left: Motor end bracket, Idler end bracket, idler ring spacer with plastic bag, installation screws and a retainer clip.

## Mounting the Brackets and Shade

### STEP 1 - INSTALLING THE BRACKETS.

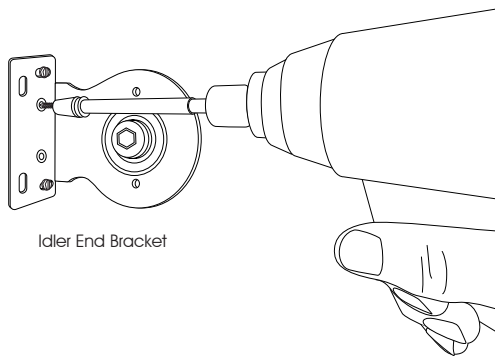
Note: There are **two different brackets**.

One for the idler end and one for the motor end. The idler end bracket and motor end bracket can be used for wall, ceiling, outside mount or inside mount installations.

**The bracket to bracket dimension is the shade cloth width plus 1 7/8".**

Use a level to ensure a horizontal position.

- Install the idler end bracket first.

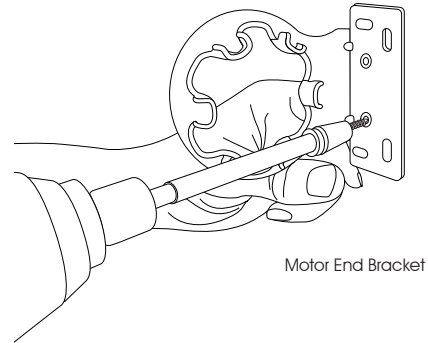


Idler End Bracket

### STEP 1 - INSTALLING THE BRACKETS (continued).

- Next, install and mount the motor end bracket.

See illustration below.

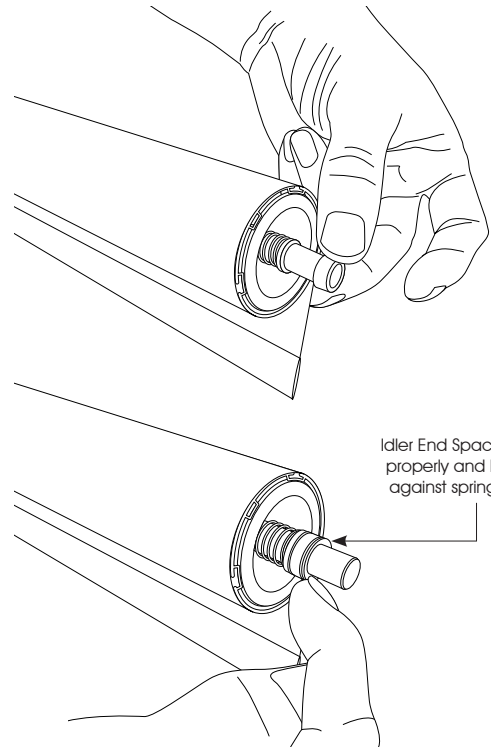


Motor End Bracket

### STEP 2 - INSTALLING THE IDLER END OF SHADE.

- Begin by slipping the idler end spacer over the idler shaft on the roller shade.

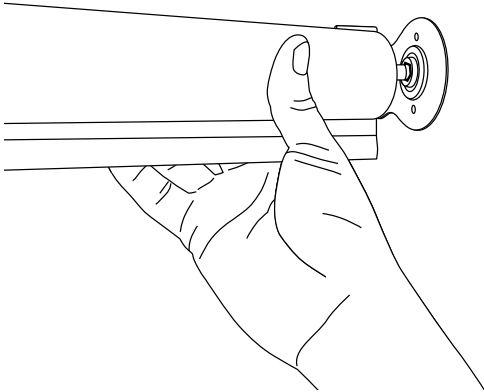
Make sure the spacer is snug and butted up against the spring on the shaft.



Idler End Spacer inserted properly and butted up against spring on shaft

**STEP 2 - INSTALLING THE IDLER END OF SHADE (continued).**

a) Place the idler end into the idler end bracket.



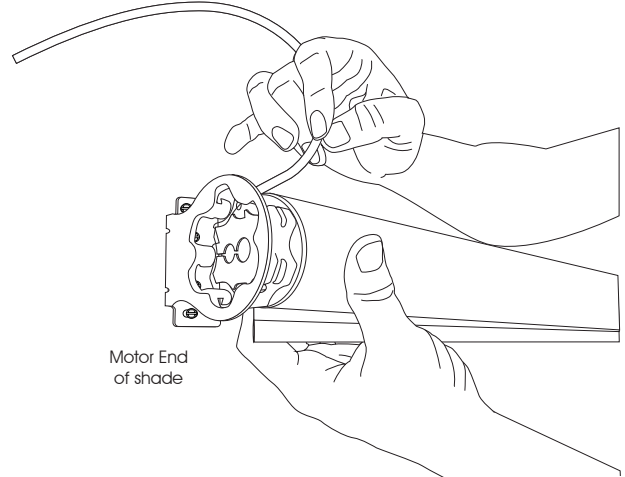
b) Push the shaft until it is completely collapsed and snug against the idler end bracket.



**STEP 3 - INSERT THE MOTOR END.**

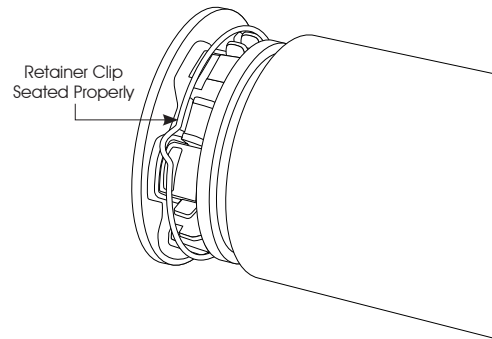
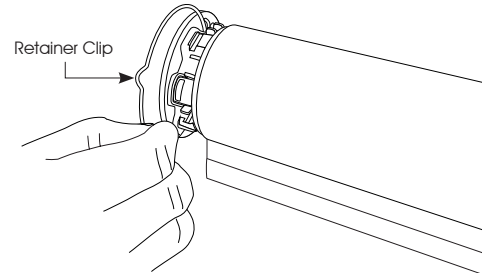
a) Slip the motor end into the bracket. Make sure the cord is positioned toward the back of the bracket.

While keeping the idler end in position, lift the shade up into the bracket easing the motor head into the motor end bracket.



b) After installing the motor end, slip the retainer clip onto the motor end. This prevents the motor from slipping out of its bracket.

Make sure the retainer clip sits in the bracket channel. See illustrations below.



**STEP 4 - CONNECT YOUR POWER SOURCE AND TEST THE SHADE.**

Please note, your shades are preset at the factory.

If limit adjustments are required, refer to the programming instructions. These can be found in the remote controller shipping box.

**STEP 5 - MOUNT REMOTE CONTROLLER HOLDER.**

- a) Mount your remote controller holder to the wall.
- b) Insert your remote controller into the holder.
- c) Congratulations, you are done!

## Caring for your Sonesse (Ultra Quiet) 506 Motors & Roller shades

Your Sonesse (Ultra Quiet) 506 motors and roller shades will provide you with years of beauty and pleasure with minimal care and cleaning.

- Vacuum using a brush or dust head attachment.
- Dust lightly using a soft, clean cloth.
- Never immerse the motors or shades in water or liquids of any type.

.....

### Note:

Call us at 800.828.2500 if you have any questions.

Fabritec, LLC.  
 7531 Coldwater Canyon Avenue  
 North Hollywood, CA 91605  
 t) 818.503.8300  
 f) 818.503.8360  
[www.castec.com](http://www.castec.com)  
[www.fabritecdesigns.com](http://www.fabritecdesigns.com)