



LIFTING SYSTEMS

[for Natural Woven Shades™]



»decide on a lifting system...

The choice of a lifting system is dictated by the type of shade to be operated, and then by its weight. However, if the shade is too heavy to be operated manually, then a motor becomes your only choice regardless of the shade style.

Cost, aesthetics, shade depth, and simple preference are also factors when making this choice.

All of our systems are listed below with their benefits and limitations.

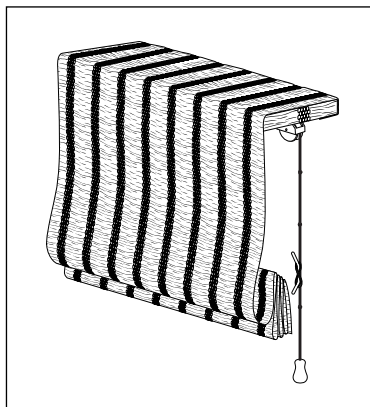
LIFTING SYSTEMS AVAILABLE

1. Cord and Cleat

2. Continuous Chain Operator (CCO)

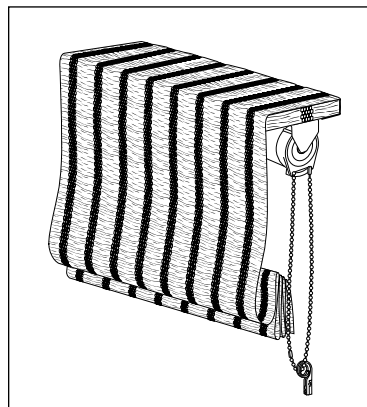
3. Motor

(see price list for motorization guide)



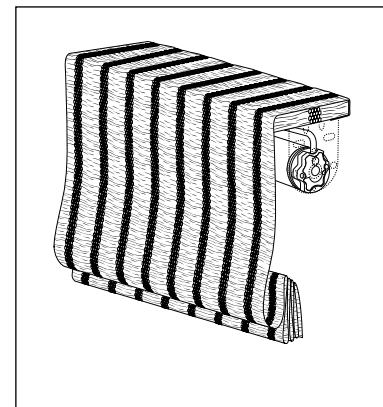
1. CORD & CLEAT

- Hand-operated cord pull.
- Cleat to wrap excess cord around.
- Simple system, very reliable.
- Only requires 1½" depth.
- As little as ¾" depth for French doors.
- Economical.
- **For safety, this system should not be used for installations in which small children may be able to play with the cords.**



2. CONTINUOUS CHAIN OPERATOR (CCO)

- Hand-operated chain loop.
- Simple and reliable.
- Chain always the same length - No "cord puddle".
- Requires a minimum of 2½" depth, 3½" for larger shades.



3. MOTOR

- Easy to operate.
- For out-of-reach shades.
- For very heavy shades.
- For luxurious convenience.
- Can operate single shades or group of shades.
- Compatible with home automation systems.