

L-SYSTEM FASCIAS

INSTALLATION INSTRUCTIONS



L-SYSTEM FASCIAS

INSTALLATION INSTRUCTIONS

Thank you for purchasing your new L-System Fascias. They have been custom-made from the highest quality materials to the dimensions you specified. With the proper installation and care, it will provide you with many years of beauty and trouble-free use.

Please read all instructions before you start so you will be familiar with the overall process.

Make sure you measure your window to ensure the fascia and shade will fit properly before beginning.

Getting Started

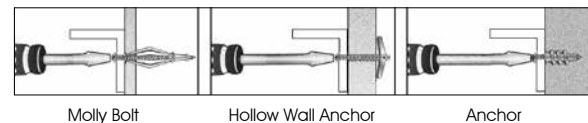
Remove the fascia and shade from the packaging. Keep the packaging until you have successfully installed the fascia and the shade.

TOOLS REQUIRED

- Pencil
- Awl
- Tape Measure
- Level
- Ladder or Stepstool
- Power Drill with the following bits:
 - 1/16" Drill Bit
 - 1/4" Hex Driver
 - Standard Screwdriver
 - Small Magnetic Tip Phillips Screwdriver
 - Masonry Drill Bit (if drilling into concrete or brick)

FASTENER NOTES

For outside mount, it is best to attach the bracket to wood studs. If this is not possible, you will need to purchase special fasteners (see illustration below for examples).

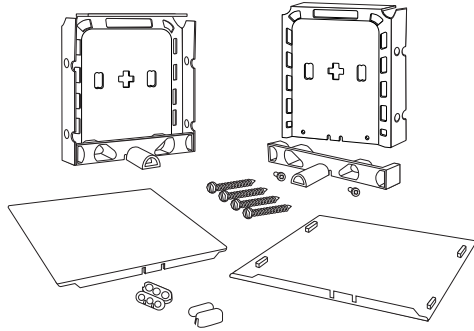


Here are some HELPFUL TIPS:

- If you are using a special fastener, make sure it is designed to support the weight of the fascia and shade. Follow the fastener manufacturer's instructions carefully.
- When drilling into drywall or plaster, use a fastener designed for hollow wall applications (see illustration).
- When drilling into concrete, stone, brick, or tile, use appropriate plugs, anchors, or screws (not included).
- When drilling into metal, the included screws are sufficient. Pre-drill 1/8" holes.

BEFORE YOU BEGIN, VERIFY THAT YOU HAVE ALL THE NECESSARY PARTS AND PIECES:

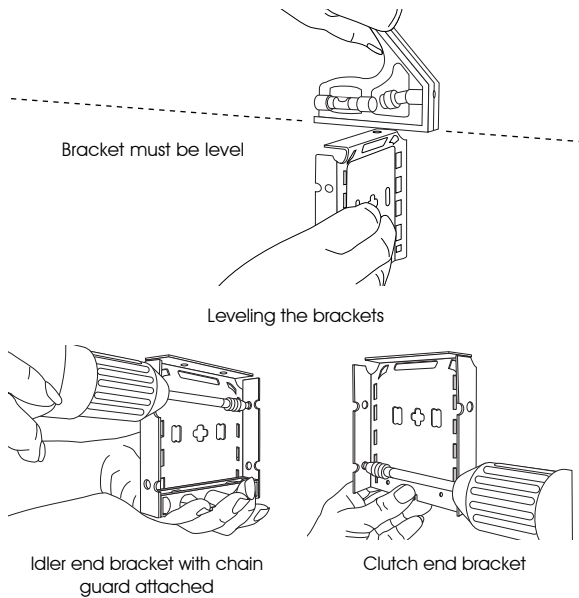
- **PACKAGE** - Contains two universal end brackets (one will have the chain guard already installed), one separate chain guard with installation screws, two end caps, two bead chain stops, and four installation screws.



Mounting the Shade and Fascia

STEP 1 - BRACKET INSTALLATION.

The brackets are universal and can be used on either side as well as for wall, ceiling or inside installation. However, the bracket with the factory installed chain guard must be positioned on the "idler end". The bracket to bracket dimension is the shade cloth width plus 1 3/4". Use a level to insure a horizontal position.



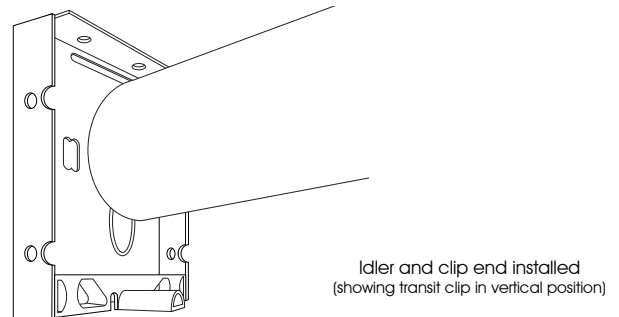
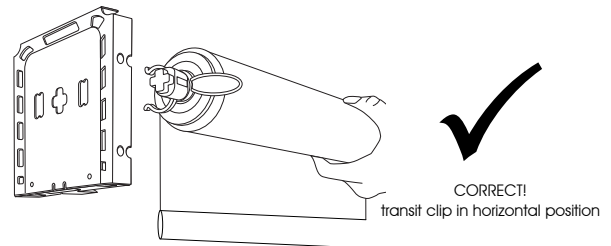
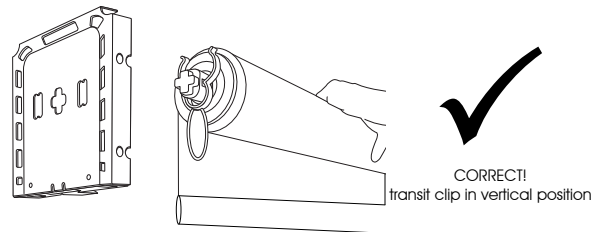
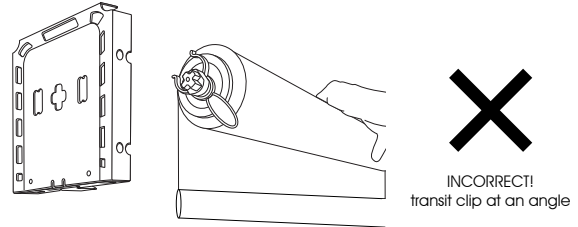
STEP 2 - INSTALLING THE SHADE.

- a. Begin by installing the idler end first.

There is a transit clip on the idler end of the shade.

The transit clip should be positioned either straight up and down, or horizontal, in order to line up the idler plunger of the idler end with the cross shaped hole in the bracket.

See illustrations below.



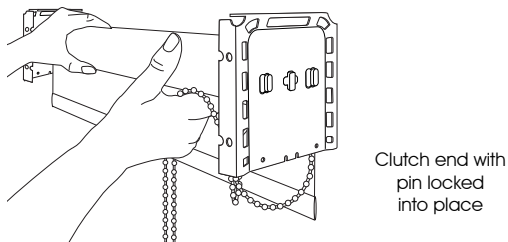
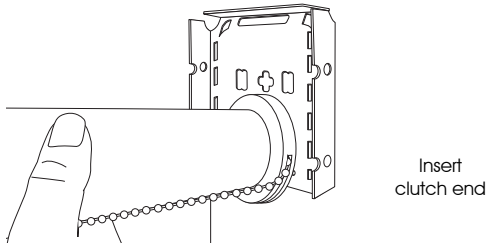
- b. Once the idler end is seated, **REMOVE the TRANSIT CLIP.** Save this clip as it will be reinstalled in Step 2d.

STEP 2 - INSTALLING THE SHADE (continued).

c. Slip the clutch end into the bracket.

While keeping the idler end in position, lift the shade up into the bracket and align the clutch end pin into the middle of the cross shaped hole.

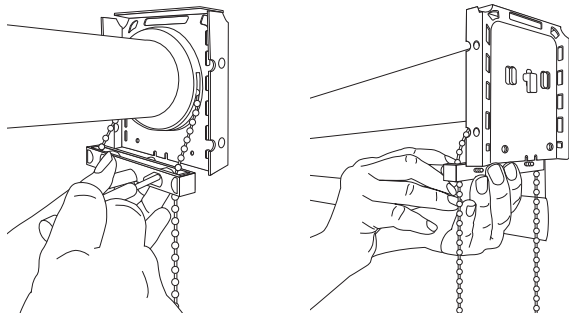
Gently slide in place and pull down to lock in place.



d. Slip the transit clip back onto the idler end. The transit clip locks the spring-loaded idler end of a roller shade, so that it cannot retract. It also prevents the roller shade from slipping out of its brackets during shipment.

STEP 3 - ATTACH THE CHAIN GUARD.

Note: A small magnetic tip Phillips screwdriver is ideal for this step, as the screws must slip through the holes inside the chain guard before attaching to the bracket. Make sure the chain itself is to the *inside* of the chain guard.

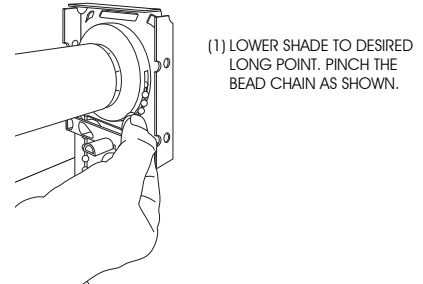


Installing chain guard, with chain *inside* of the chain guard

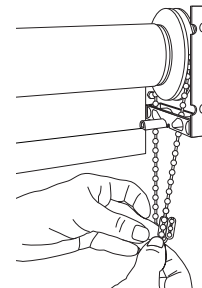
STEP 4 - SET THE STOP POSITION.

Lower the shade to the desired long point.

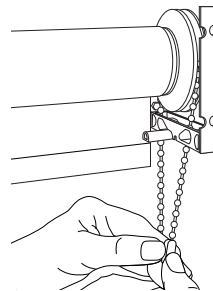
Then pinch the bead chain at this point and place one of the bead chain stops here. One extra bead chain stop is provided in case a change must be made.



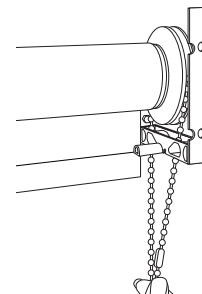
(2) PLACE BEAD CHAIN STOP HERE.



(3) CLOSE THE BEAD CHAIN STOP.



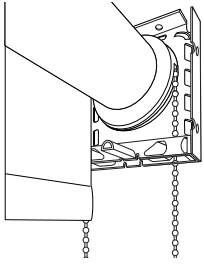
(4) YOU ARE DONE!



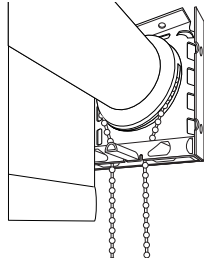
Installation steps 1 to 4 for the stop position.

STEP 5 - DECIDE ON THE CHAIN POSITION.

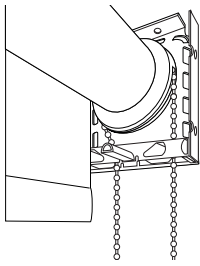
See the 4 chain position options (illustrations A to D below).



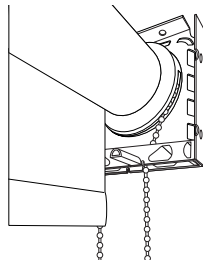
(A) BOTH CHAINS ON THE OUTSIDE POSTS
(this results in less clicking as the chain rotates over the guard)



(B) BOTH CHAINS ON THE INSIDE POSTS



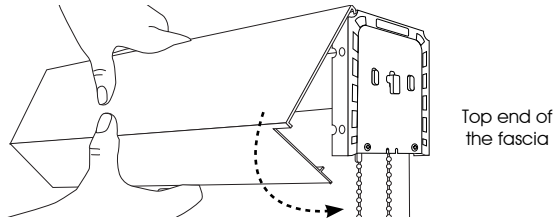
(C) CHAINS TOWARDS THE FRONT
(best for applications with side channels)



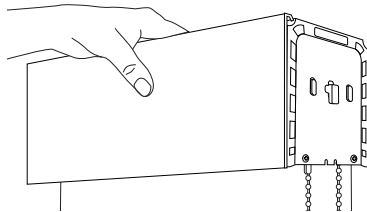
(D) CHAINS TOWARDS THE BACK
(chain is less visible)

STEP 6 - SNAP ON THE FASCIA.

Catch the top end of the fascia on the top of the bracket and simply snap into place.

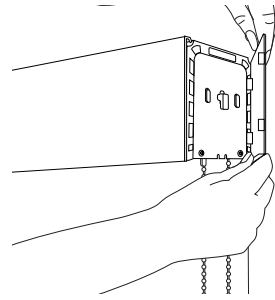


Snapped into place

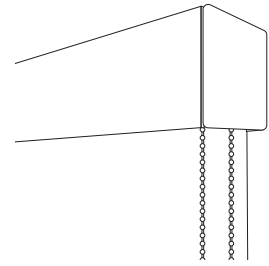


STEP 7 - ADD THE END CAPS FOR A FINISHED LOOK.

Note: The end caps cannot be used on an inside mount installation.



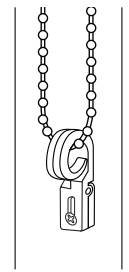
Insert end cap cover



Snap end cap cover into place

STEP 8 - INSTALL THE P-CLIP (HOLDDOWN).

Depress the p-clip holddown and firmly attach to the wall. DO NOT PULL THE BEAD CHAIN TAUT, as this will prevent the bead chain from operating smoothly.



P-clip installed

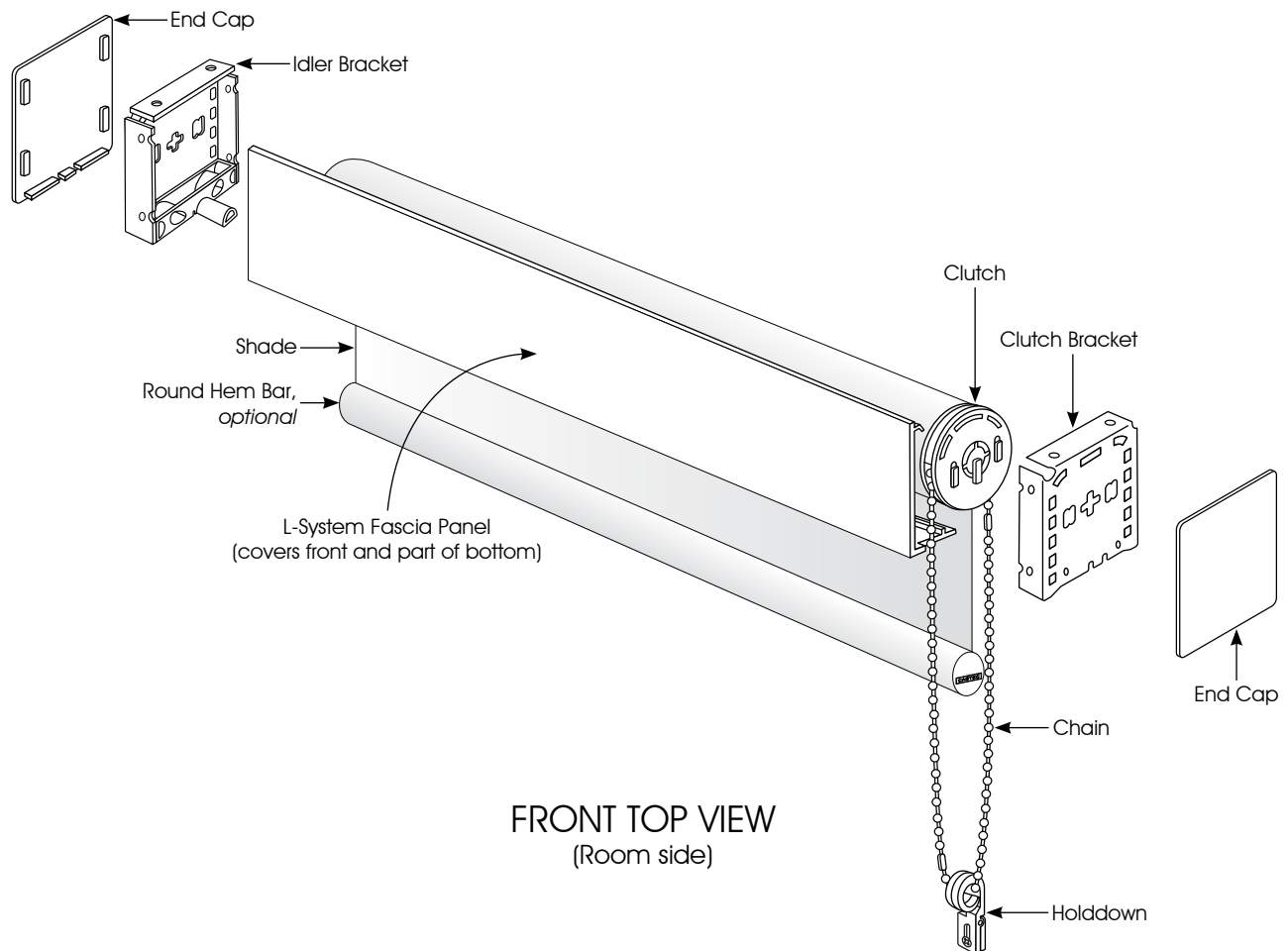
Caring for your L-System Fascias & Roller shades

Your fascias and roller shades will provide you with years of beauty and pleasure with minimal care and cleaning.

- Vacuum using a brush or dust head attachment.
- Dust lightly using a soft, clean cloth.
- Never immerse the fascias or shades in water or liquids of any type.

Call us at 800.828.2500 if you have any questions.

L-SYSTEM FASCIA DETAILED DIAGRAM



IMPORTANT!

1. Please read installation instructions first (included with hardware).
2. The brackets should be $1\frac{3}{8}$ " wider than the cloth width.
3. Install the idler end of the shade first!