

L-SERIES MOTORS

LS1100 Battery Motor
(Rechargeable Battery Shade)

INSTALLATION INSTRUCTIONS



L-SERIES MOTORS (LS1100)

INSTALLATION INSTRUCTIONS

Thank you for purchasing your new LS1100 Motor. They have been custom-made from the highest quality materials to the dimensions you specified. With the proper installation and care, it will provide you with many years of beauty and trouble-free use.

Please read all instructions before you start so you will be familiar with the overall process.

Make sure you measure your window to ensure the motors and shades will fit properly before beginning.

Getting Started

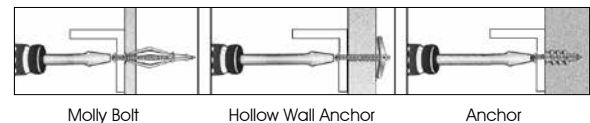
Remove the motor and shade from the packaging. Keep the packaging until you have successfully installed the motor and the shade.

TOOLS REQUIRED

- Pencil
- Awl
- Tape Measure
- Level
- Ladder or Stepstool
- Power Drill with the following bits:
 - 1/16" Drill Bit
 - 1/4" Hex Driver
 - Standard Screwdriver
 - Masonry Drill Bit (if drilling into concrete or brick)

FASTENER NOTES

For outside mount, it is best to attach the bracket to wood studs. If this is not possible, you will need to purchase special fasteners (see illustration below for examples).



Here are some HELPFUL TIPS:

- If you are using a special fastener, make sure it is designed to support the weight of the motor and shade. Follow the fastener manufacturer's instructions carefully.
- When drilling into drywall or plaster, use a fastener designed for hollow wall applications (see illustration).
- When drilling into concrete, stone, brick, or tile, use appropriate plugs, anchors, or screws (not included).
- When drilling into metal, the included screws are sufficient. Pre-drill 1/8" holes.

LS1100 MOTOR

(Rechargeable Battery Shade)

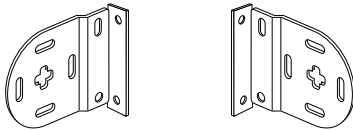
Mounting the Shade

STEP 1 - INSTALLING THE BRACKETS.

The brackets are universal and can be used on either side as well as for wall, ceiling, outside mount or inside mount installations.

The bracket to bracket dimension is the shade cloth width plus 1 $\frac{3}{8}$ ".

Use a level to ensure a horizontal position.



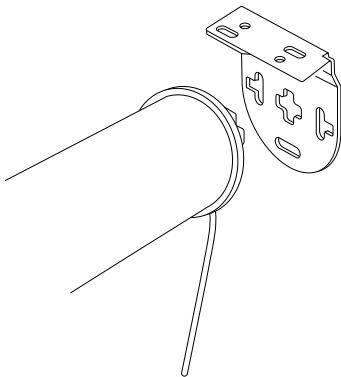
End Brackets

STEP 2 - INSTALLING THE SHADE.

a) Begin by installing the idler end first.

There is a transit clip on the idler end of the shade.

See facing column for instructions on installing the idler end of the shade.

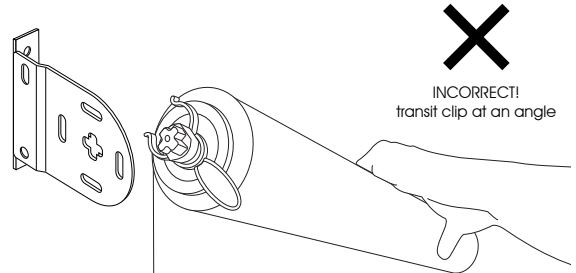


STEP 2 - INSTALLING THE SHADE (continued).

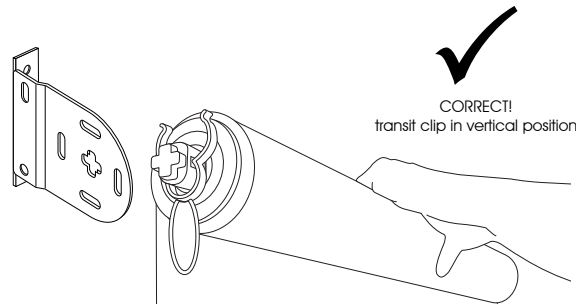
b) Push the idler plunger into the idler end bracket.

The transit clip should be positioned either straight up and down, or horizontal, in order to line up the idler plunger of the idler end with the cross shaped hole in the bracket.

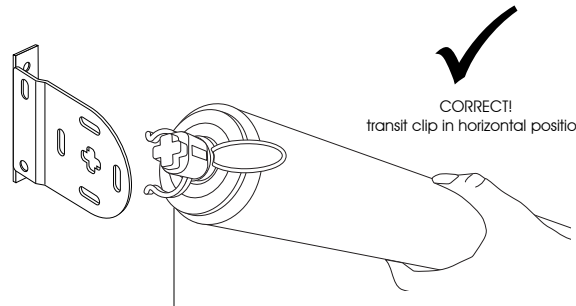
See illustrations below.



INCORRECT!
transit clip at an angle



CORRECT!
transit clip in vertical position



CORRECT!
transit clip in horizontal position

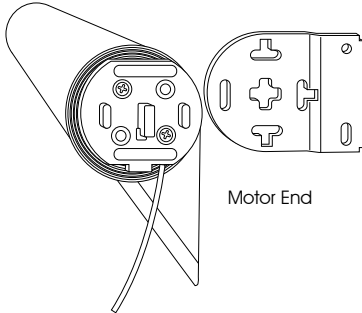
c) Once the idler end is seated, **REMOVE the TRANSIT CLIP.**

Save this clip as it will be reinstalled in Step 3(c).

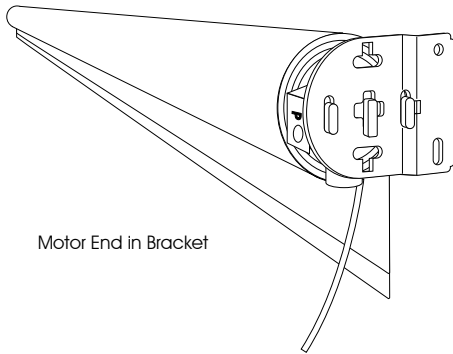
STEP 3 - INSERT THE MOTOR END.

a) Slip the motor end into the bracket.

While keeping the idler end in position, lift the shade up into the bracket and align the motor end pin into the middle of the cross-shaped hole.



b) Gently slide in place and pull down to lock in place.



c) After installing the motor end, slip the transit clip back onto the idler end.

The transit clip locks the spring-loaded idler end of a roller shade, so that it cannot retract. It also prevents the roller shade from slipping out of its brackets during shipment.

STEP 4 - PROGRAM YOUR LS1100 MOTOR.

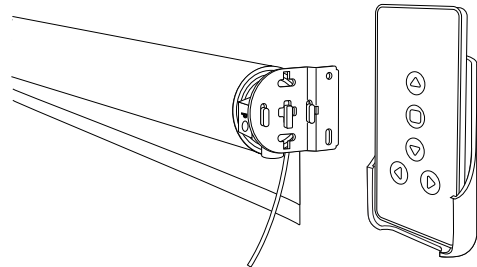
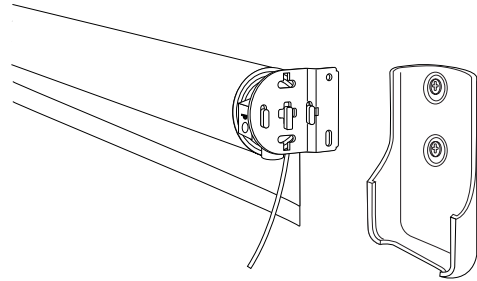
SEE SEPARATE SHEET ATTACHED with instructions on how to program your **LS1100 Rechargeable Battery Motor**.

STEP 5 - MOUNT REMOTE CONTROLLER HOLDER.

a) Mount your remote controller holder to the wall.

b) Insert your remote controller into the holder.

c) Congratulations, you are done!



STEP 6 - ADD THE END CAPS FOR A FINISHED LOOK.

Note: The end caps cannot be used on an inside mount installation.

Caring for your LS1 100 Rechargeable Battery Motors & Roller shades

Your battery motors and roller shades will provide you with years of beauty and pleasure with minimal care and cleaning.

- Vacuum using a brush or dust head attachment.
- Dust lightly using a soft, clean cloth.
- Never immerse the motors or shades in water or liquids of any type.

.....

Note:

Call us at 800.828.2500 if you have any questions.