

# SUNSTAR™ & ROLLER SHADES installed with L-SYSTEM DUO BRACKETS

## INSTALLATION INSTRUCTIONS



## DUO SHADES INSTALLED WITH L-SYSTEM DUO BRACKETS

### INSTALLATION INSTRUCTIONS

(for a SUNSTAR™ and a ROLLER shade combination)

Thank you for purchasing your new shades. They have been custom-made from the highest quality materials to the dimensions you specified. With the proper installation and care, it will provide you with many years of beauty and trouble-free use.

Please read all instructions before you start so you will be familiar with the overall process.

Make sure you measure your window to ensure the brackets and shades will fit properly before beginning.

### Getting Started

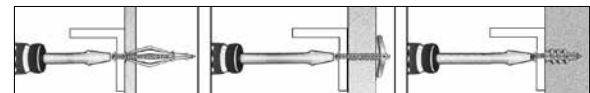
Remove the headboard, duo brackets and shades from the packaging. Keep the packaging until you have successfully installed the duo brackets and the shades.

### TOOLS REQUIRED

- Pencil
- Awl
- Tape Measure
- Level
- Ladder or Stepstool
- Power Drill with the following bits:
  - 1/16" Drill Bit
  - 1/4" Hex Driver
  - Standard Screwdriver
  - Masonry Drill Bit (if drilling into concrete or brick)

### FASTENER NOTES

For outside mount, it is best to attach the bracket to wood studs. If this is not possible, you will need to purchase special fasteners (see illustration below for examples).



Molly Bolt

Hollow Wall Anchor

Anchor

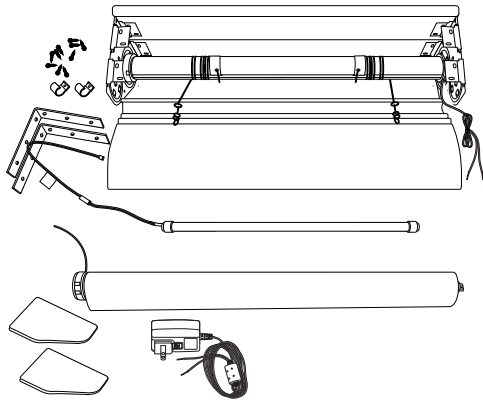
Here are some HELPFUL TIPS:

- If you are using a special fastener, make sure it is designed to support the weight of the clutch and shade. Follow the fastener manufacturer's instructions carefully.
- When drilling into drywall or plaster, use a fastener designed for hollow wall applications (see illustration).
- When drilling into concrete, stone, brick, or tile, use appropriate plugs, anchors, or screws (not included).
- When drilling into metal, the included screws are sufficient. Pre-drill 1/8" holes.

(This applies to a **SUNSTAR SHADE** mounted on the front and a **ROLLER SHADE** mounted on the back.)

BEFORE YOU BEGIN, VERIFY THAT YOU HAVE ALL THE NECESSARY PARTS AND PIECES:

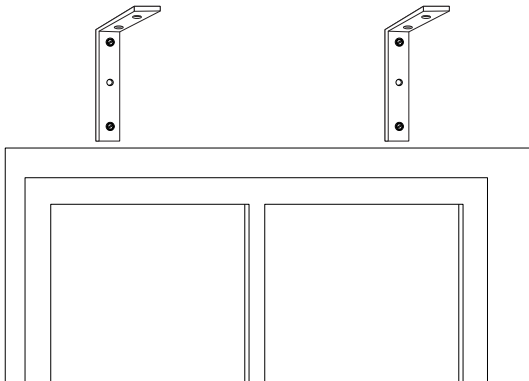
- **PACKAGE** - Contains one SUNSTAR shade and two duo brackets mounted onto a headboard, a ROLLER shade, a battery motor with two battery clips, a motor transformer, two L-shaped installation brackets, a pair of end caps and installation screws.



Illustrations, clockwise from top center:  
Headboard with SUNSTAR shade and duo brackets pre-installed, battery wand pack, ROLLER shade, motor transformer, end caps, L-mounting brackets, battery clips and installation screws.

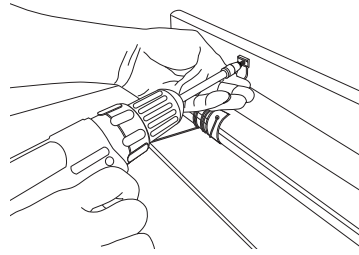
### Installing the L-Brackets

Install your L-brackets. The L-brackets are universal. Use a level to insure a horizontal position.

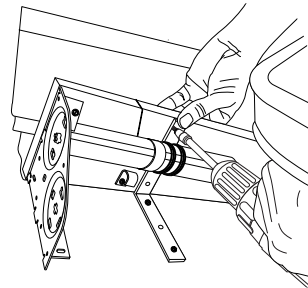
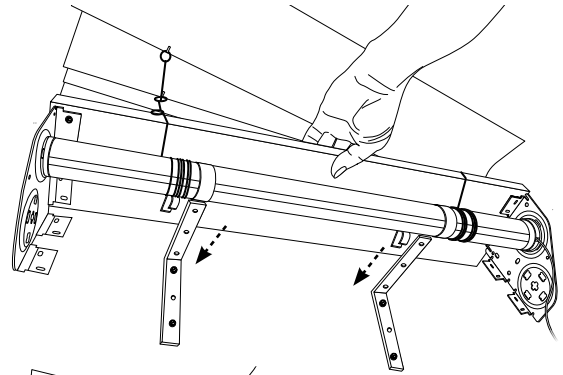


### Installing the Shades

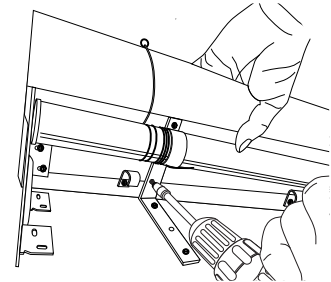
a) If your shade has a battery motor, install the battery clips under the headboard towards the back.



b) Slide your Sunstar shade and headboard onto the L-brackets. Secure headboard with screws on the front and the back.

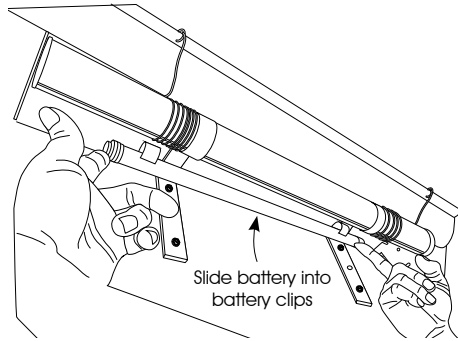


Secure with screws on the front and back



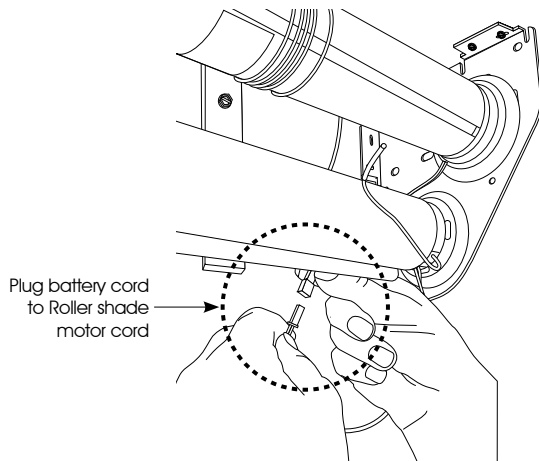
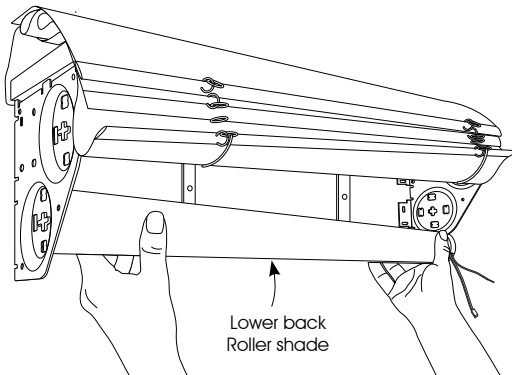
## Installing the Shades (continued)

c) Snap battery onto battery clips.



d) Install the lower back roller shade. Install the idler end first, then motor end. Make sure the motor end locks down into bracket.

Plug battery cord to shade motor cord. See below.

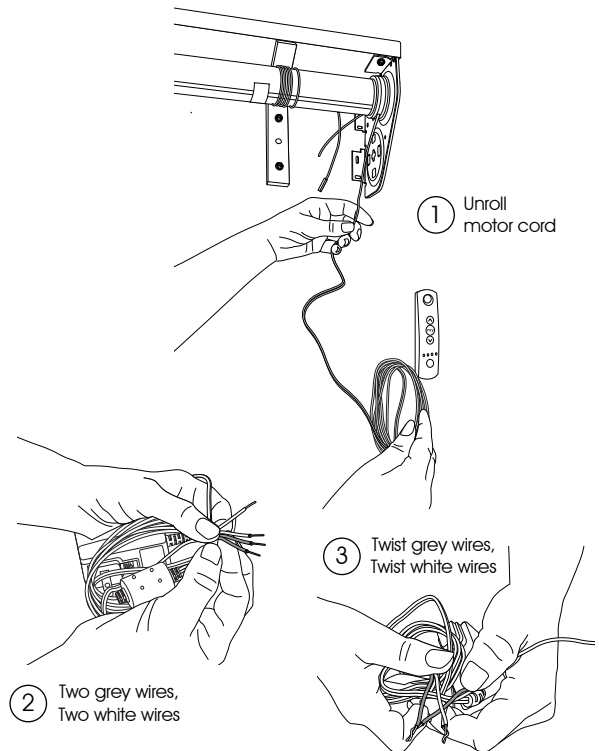


## Installing the Shades (continued)

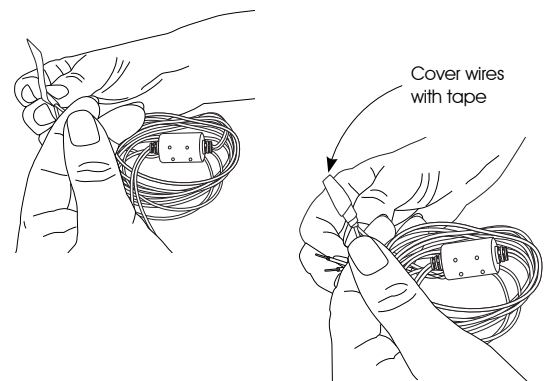
e) Unroll the motor cord to the Sunstar shade (front shade).

Open, and examine the wire ends. There will be a grey wire and a white wire. Open and examine the transformer wires. Again, there will be a grey wire and a white wire.

Attach the two grey wires together and twist the wire ends. Do the same for the two white wires. See illustrations below.

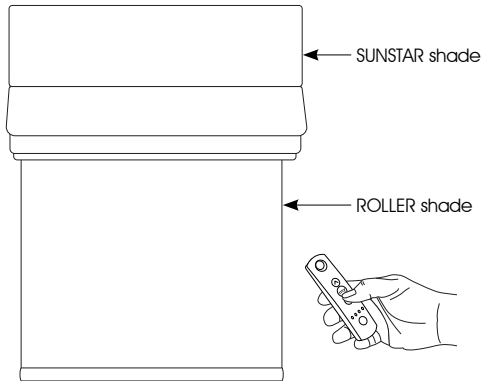


f) Cover the twisted open wire ends with wire tape.

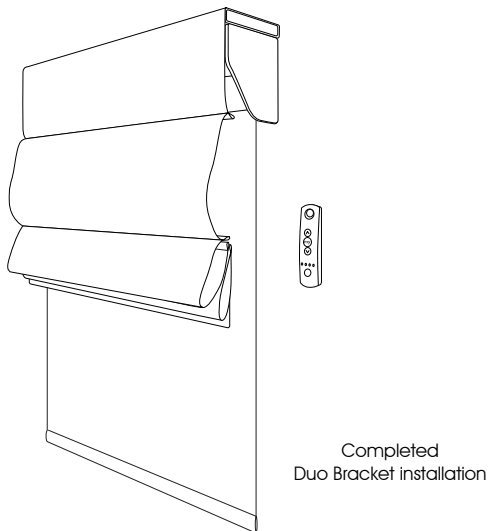


## Test your Shades

- a) Plug in your cords to an electrical outlet. Test your Sunstar and Roller shades.
- b) Mount your remote control to the wall if desired.



- c) Add the end caps for a finished look.



- d) Congratulations! You are done! If you have any questions, please call us at (800) 828-2500.

## Caring for your Duo Brackets, Sunstar and Roller Shades.

Your Duo Brackets, Sunstar and Roller shades will provide you with years of beauty and pleasure with minimal care and cleaning.

- Vacuum using a brush or dust head attachment.
- Dust lightly using a soft, clean cloth.
- Never immerse the duo brackets or shades in water or liquids of any type.

.....