

ROLLSTAR-EX™ SHADES (without Headboxes)

INSTALLATION INSTRUCTIONS



ROLLSTAR-EX™ SHADES (without Headboxes)

INSTALLATION INSTRUCTIONS

Thank you for purchasing your new Rollstar-EX shades. They have been custom-made from the highest quality materials to the dimensions you specified. With the proper installation and care, it will provide you with many years of beauty and trouble-free use.

Please read all instructions before you start so you will be familiar with the overall process.

Measure your outdoor openings to ensure the shades will fit properly before beginning.

Getting Started

Remove the shade from the packaging. Keep the packaging until you have successfully installed the exterior motorized or CCO shades.

TOOLS REQUIRED.

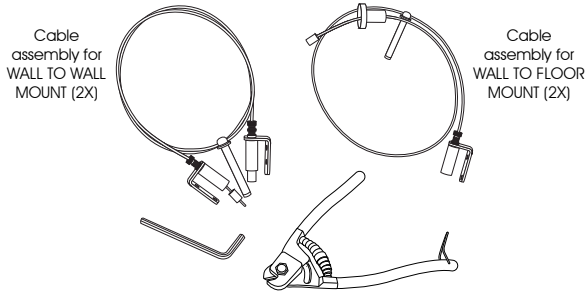
- Pencil
- Awl
- Tape Measure
- Level
- 1/8" Cable Cutter
- #3 Allen Wrench (included in packaging)
- Ladder or Stepstool
- Power Drill with the following bits:
 - 3/8" Drill Bit
 - 1/4" Hex Driver
 - Standard Screwdriver
 - Masonry Drill Bit (if drilling into concrete or brick)

BEFORE YOU BEGIN, VERIFY THAT YOU HAVE ALL THE NECESSARY PARTS AND PIECES:

**• PACKAGE A -
(for Wall to Wall or Wall to Floor Installations)**

Each package contains 2 sets of stainless steel cable assemblies.

Note: You will need to get a special cable cutter (shown below). They do not come with the package.

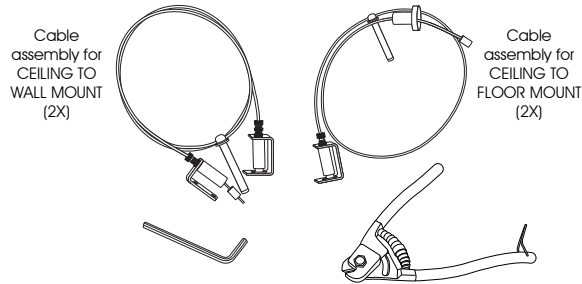


Illustration, clockwise from top left:
Cable assemblies - Wall to Wall Mount, Wall to Floor Mount,
1/8" Cable cutter (cable cutter is not supplied!)
and #3 Allen wrench

**• PACKAGE B -
(for Ceiling to Wall or Ceiling to Floor Installations)**

Each package contains 2 sets of stainless steel cable assemblies.

Note: You will need to get a special cable cutter (shown below). They do not come with the package.



Illustration, clockwise from top left:
Cable assemblies - Ceiling to Wall Mount, Ceiling to Floor Mount,
1/8" Cable cutter (cable cutter is not supplied!)
and #3 Allen wrench

1) FOR WALL OR CEILING MOUNTS.

A) STEP 1 - INSTALLING THE SHADE BRACKETS AND SHADE.

a) Begin by installing the shade brackets and shade. Allow 1" on both sides of the shade for the cable brackets to sit.

Please refer to the specific shade installation instruction sheets for installing your brackets and shade: The L-Series Clutches or Remote Control Motorized Roller Shades installation instructions are included with this package.

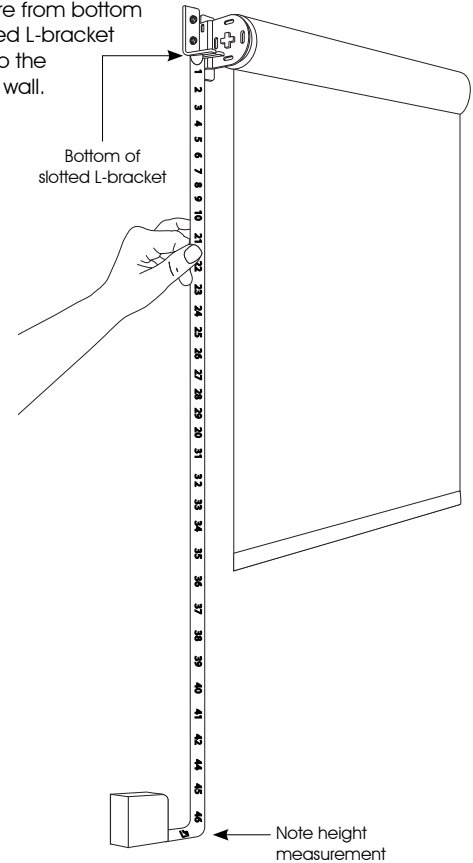
**2A) SETTING THE CABLE LENGTH FOR THE UPPER WALL BRACKET.
(see Step 2B for Ceiling Bracket)**

STEP 1 - INSTALL THE UPPER WALL BRACKETS.

a) Install the upper cable wall brackets 1/8" from the shade brackets to allow for the bracket covers.

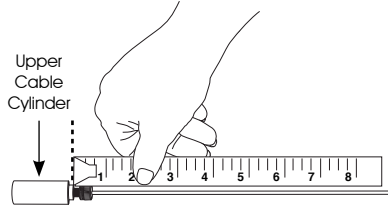
STEP 2 - MEASURE THE REQUIRED CABLE HEIGHT.

a) Measure from bottom of slotted L-bracket down to the floor or wall.

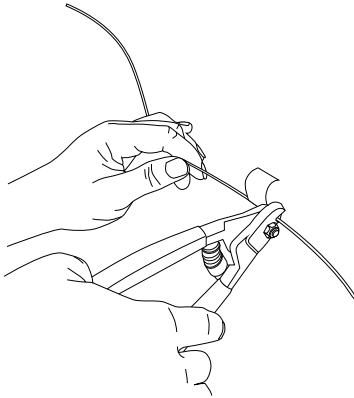


STEP 3 - CUT THE CABLES.

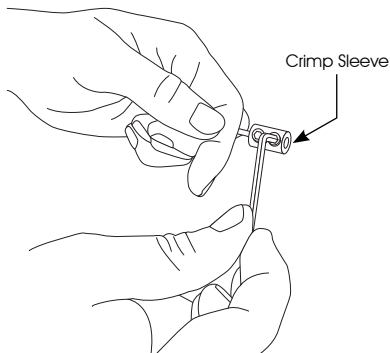
- a) Unroll the cable assembly. Lay flat and measure from the *bottom* of the upper cable cylinder to the required height measurement from previous step, 2A - Step 2(a).
- b) Mark correct length on cable with tape.



- c) Cut the cable with the cable cutting tool using a clean, precise cut.
Please use the recommended 1/8" cable cutter.



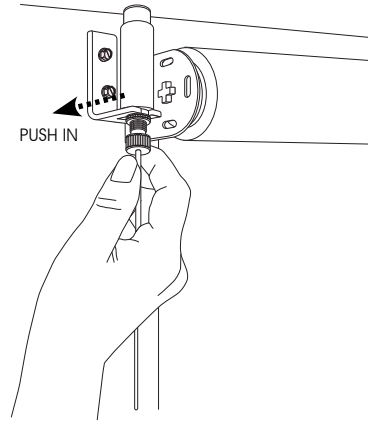
- d) Slide the crimp sleeve to the end of the cable. Tighten the set screw so as to secure the cable.
This prevents the cable from coming loose and falling apart.



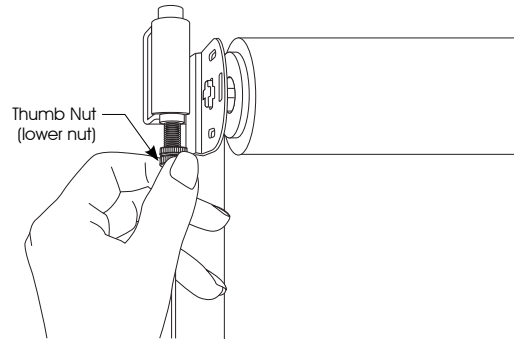
3A) INSTALL CABLE IN THE UPPER WALL BRACKET.

STEP 1 - INSERT THE UPPER CABLE CYLINDER.

- a) Slide the upper cable cylinder into the slotted L-bracket in the wall. See Illustration below.



- b) Finger tighten the thumb nut (the lower nut).



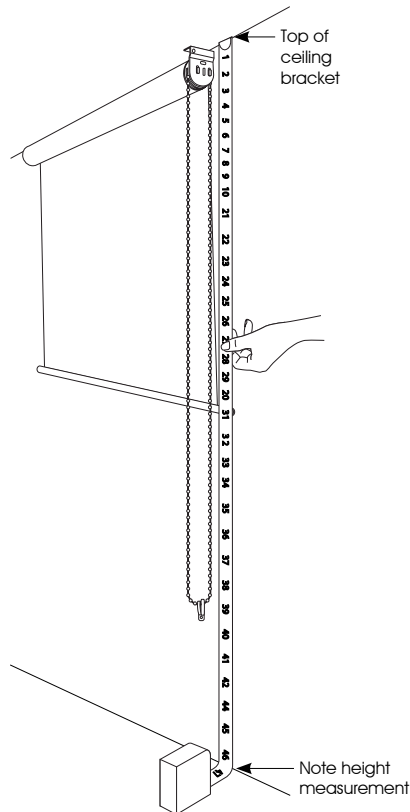
- c) Do the same for the upper cable cylinder on the other side.
- d) NOTE: You will need to tighten the lock nut after the bottom bracket is set.
- e) Now, you are ready to set the bottom bracket.
Go to STEP 4A FOR LOWER FLOOR BRACKET or STEP 4B FOR LOWER WALL BRACKET instructions.

2B) SETTING THE CABLE LENGTH FOR THE CEILING BRACKET.

(see Step 2A for Upper Wall Bracket)

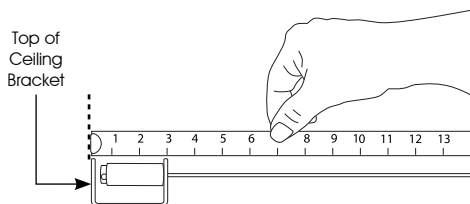
STEP 1 - MEASURE THE REQUIRED SHADE HEIGHT.

- a) Measure from ceiling to floor or lower wall location. Deduct $\frac{3}{4}$ " from this measurement for cable length.



STEP 2 - CUT THE CABLES.

- a) Unroll the cable assembly. Lay flat and measure from the top of the ceiling bracket to the required height measurement from previous step, 2B - Step 1(a).
 b) Mark correct length on cable with tape.



STEP 2 - CUT THE CABLES (CONTINUED).

- c) Cut the cable with the cable cutting tool using a clean, precise cut. Please use the recommended $\frac{1}{8}$ " cable cutter. See illustration in 2A - Step 3(c).
 d) Slide the crimp sleeve to the end of the cable. Tighten the set screw so as to secure the cable. This prevents the cable from coming loose and falling apart. See illustration in 2A - Step 3(d).

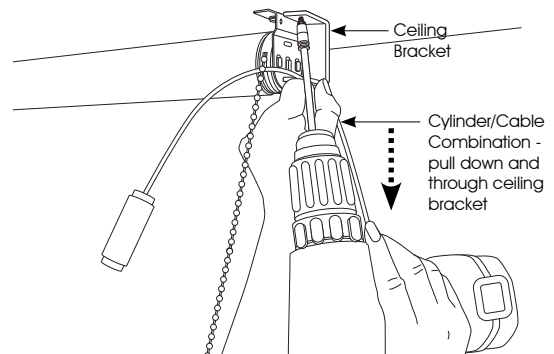
3B) FOR CEILING BRACKETS ONLY.

STEP 1 - INSTALL THE CEILING BRACKETS.

- a) Install the cable ceiling bracket/cylinder combination $\frac{1}{8}$ " from the shade bracket to allow for the bracket cover at the ceiling.

STEP 2 - PULL THE CABLE THROUGH.

- a) Pull the cable through and down until the cylinder is seated in the ceiling bracket. See illustration below.

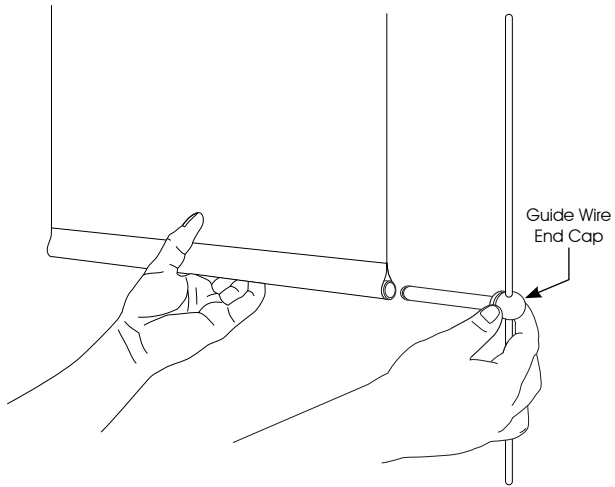


- b) Tighten the thumbnut (the lower nut). See 3A - Step1(b) illustration for tightening the thumbnut.
 c) Do the same for the upper bracket/cylinder combination on the other side.
 d) NOTE: You will need to tighten the lock nut after the bottom bracket is set.
 e) Now, you are ready to set the bottom bracket.
 Go to STEP 4A FOR LOWER FLOOR BRACKET or STEP 4B FOR LOWER WALL BRACKET.

**4A) FOR LOWER FLOOR BRACKET ONLY.
(see Step 4B for Lower Wall Bracket)**

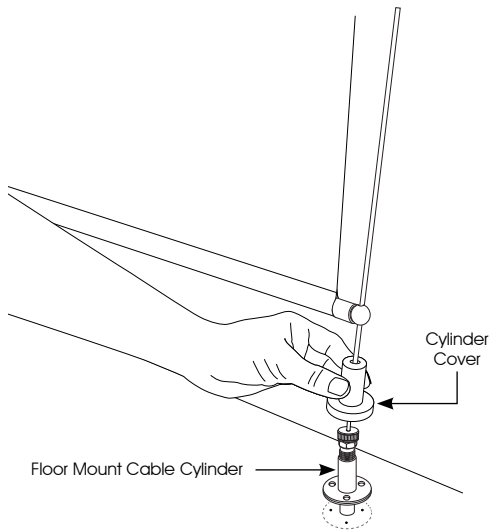
STEP 1 - INSERT THE GUIDE WIRE END CAP.

- a) Slide the guide wire end cap into the bottom hem.
- b) Repeat on opposite side.



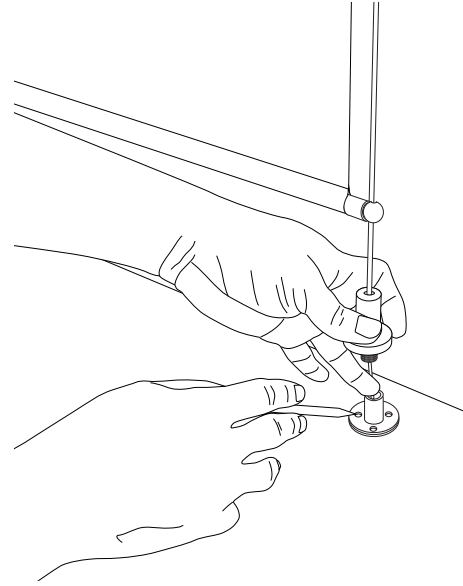
STEP 2 - INSTALL THE FLOOR MOUNT CABLE CYLINDER.

- a) Lower the shade till it is almost at floor level.
See illustration below.

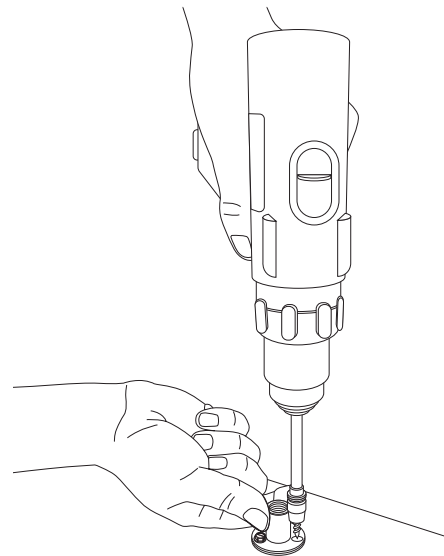


**STEP 2 - INSTALL THE FLOOR MOUNT CABLE CYLINDER
(CONTINUED).**

- b) Mark the hole location on the floor with a pencil.

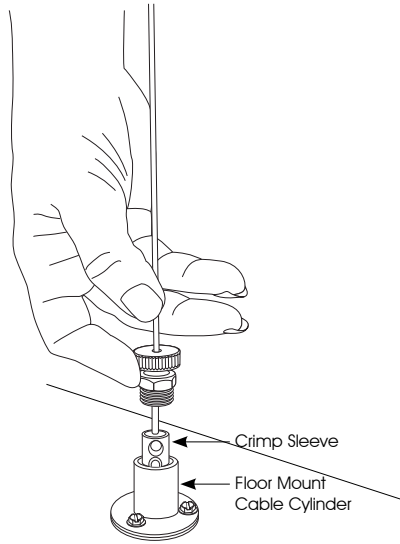


- c) Screw the floor mount cable cylinder into the floor.
- d) Repeat on the other side.



STEP 3 - INSERT CRIMP SLEEVE.

a) Insert the crimp sleeve into the floor mount cable cylinder.



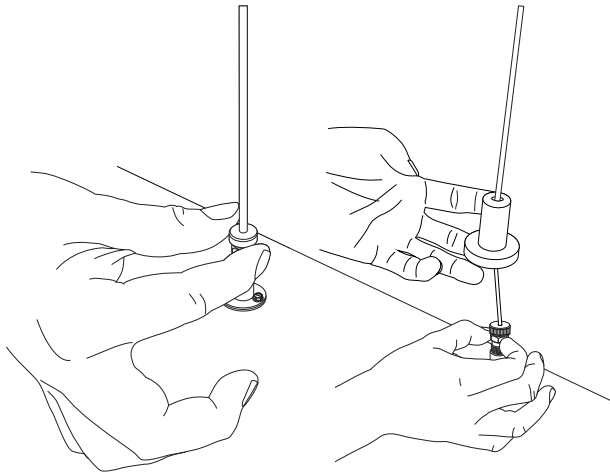
STEP 4 - ADJUST THE LOCK AND THUMBNUTS.

a) First, make sure the lock nut (the bottom nut) is flush against the bottom of the thumbnut (the top nut). Then attach to the floor bracket.

Now, tighten the thumbnut (top nut) until the cable is taut.

b) Tighten the lock nut (bottom nut) to lock everything in place.

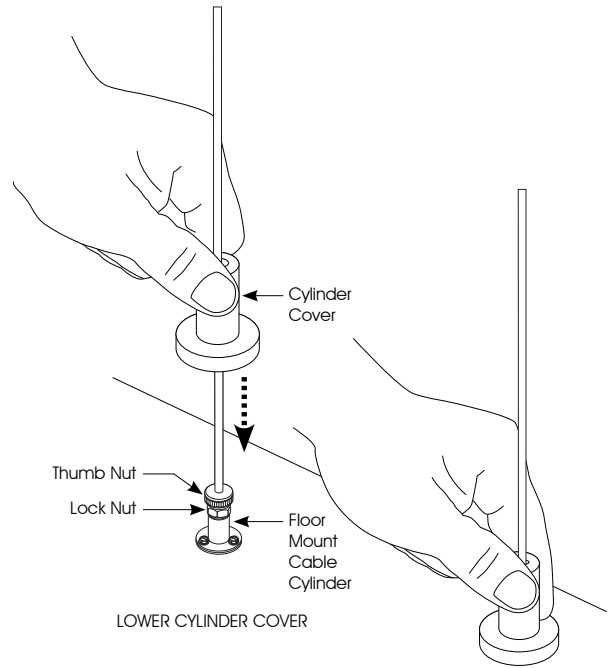
c) Finish the adjustments by tightening the lock nut on the upper brackets.



STEP 4 - ADJUST THE LOCK AND THUMBNUTS (CONTINUED).

c) Lower the cylinder cover over the floor mount cable cylinder. Tighten in place.

Repeat for the other side of the shade.



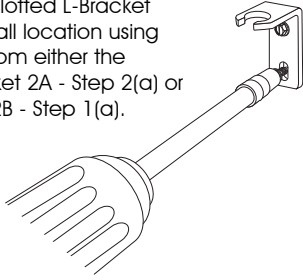
TIGHTEN CYLINDER COVER

4B) FOR LOWER BRACKET WALL ONLY

(see Step 4A for Lower Floor Bracket)

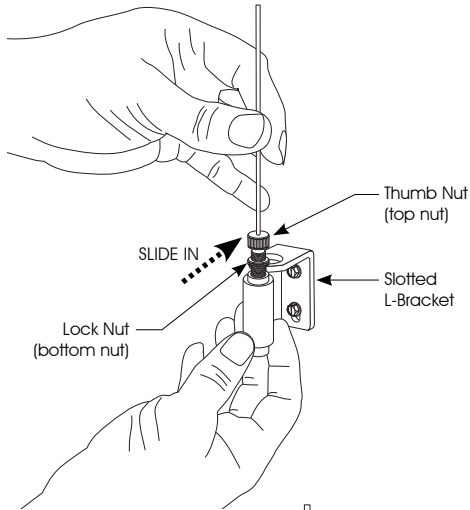
STEP 1 - INSTALL THE LOWER SLOTTED L-BRACKET TO THE WALL.

- a) Install the lower slotted L-Bracket to the desired wall location using measurement from either the upper wall bracket 2A - Step 2(a) or ceiling bracket 2B - Step 1(a).

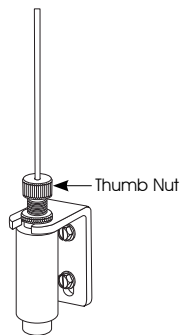


STEP 2 - PUSH LOWER CABLE CYLINDER INTO THE SLOTTED L-BRACKET.

- a) Slide the lower cable cylinder into the bracket. Make sure the lock nut is above the slotted L-bracket. See illustration below.

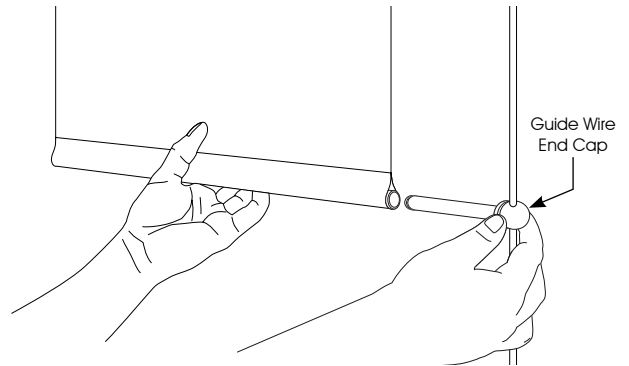


- b) Loosely tighten the thumbnut (top nut) to hold in place.



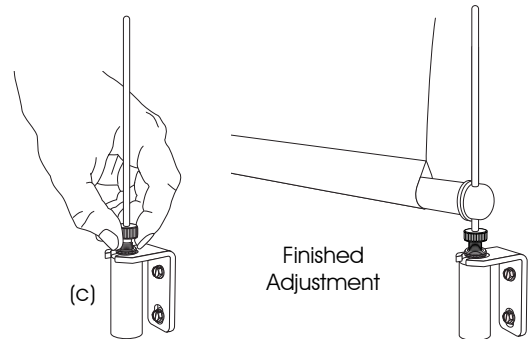
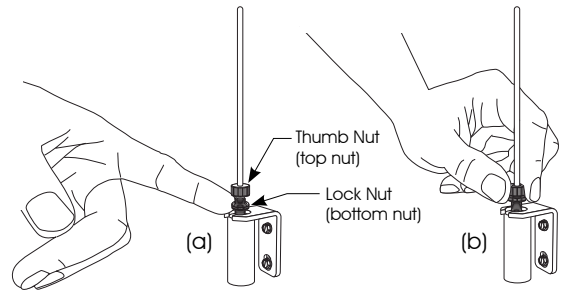
STEP 3 - INSERT THE GUIDE WIRE END CAP.

- a) Slide the guide wire end cap into the bottom hem. Repeat on opposite side.



STEP 4 - MAKE FINAL TENSION ADJUSTMENT AT LOWER CABLE CYLINDER AND BRACKET.

- a) In order to tighten the cable, first loosen the lock nut (the bottom nut).
b) Locknut must be snug against the thumbnut (the top nut). Tighten thumb nut until cable is taut.
c) Now, tighten the lock nut locking in the cable. You will need to tighten the lock nut after the bracket is set.
d) Repeat on the other side.



5) COMPLETING THE INSTALLATION FOR THE SHADES – MOTOR & CCO SYSTEMS

i) Motor Systems

STEP 1 - MOUNT REMOTE CONTROLLER HOLDER.

- Mount your remote controller holder to the wall.
- Insert your remote controller into the holder.
- Congratulations, you are done!

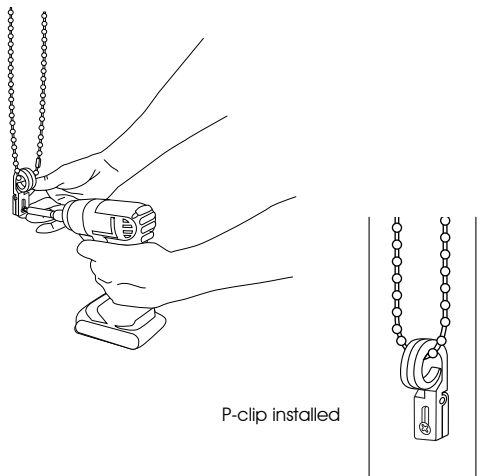
ii) CCO Systems

STEP 1 - SET THE LOWER LIMIT/STOP POSITION.

- Lower the shade to the desired long point.
- Then pinch the bead chain at this point on the front of the clutch, and place one of the bead chain stops here.
- One extra bead chain stop is provided in case a change must be made.

STEP 2 - INSTALL THE P-CLIP (HOLDDOWN).

- Depress the P-clip holddown and firmly attach to the wall.
- DO NOT PULL THE BEAD CHAIN TAUT, as this will prevent the bead chain from operating smoothly.



- Congratulations, you are done!

Caring for your Rollstar-EX shades, Motors and CCOs.

Your Rollstar-EX shades, motors and CCOs will provide you with years of beauty and pleasure with minimal care and cleaning.

- Vacuum using a brush or dust head attachment.
- Dust lightly using a soft, clean cloth.
- Never immerse the motors or shades in water or liquids of any type.
- Call us at 800.828.2500 if you have any questions.

Fabritec, LLC.
7531 Coldwater Canyon Avenue
North Hollywood, CA 91605
t) 818.503.8300
f) 818.503.8360
www.castec.com
www.fabritecdesigns.com