

## DC50 (Ultra Quiet) SERIES MOTORS

### INSTALLATION INSTRUCTIONS



## DC50 (Ultra Quiet) SERIES MOTORS

### INSTALLATION INSTRUCTIONS

Thank you for purchasing your new DC50 (Ultra Quiet) Motor. They have been custom-made from the highest quality materials to the dimensions you specified. With the proper installation and care, it will provide you with many years of beauty and trouble-free use.

Please read all instructions before you start so you will be familiar with the overall process.

Make sure you measure your window to ensure the motors and shades will fit properly before beginning.

### Getting Started

Remove the motor and shade from the packaging.

Keep the packaging until you have successfully installed the motorized shade.

#### TOOLS REQUIRED.

- Pencil
- Awl
- Tape Measure
- Level
- Ladder or Stepstool
- Power Drill with the following bits:
  - 1/16" Drill Bit
  - 1/4" Hex Driver
  - Standard Screwdriver
  - Masonry Drill Bit (if drilling into concrete or brick)

#### PLEASE NOTE:

This is a **very powerful heavy motor** and **the brackets have to be secured and attached to wood studs.**

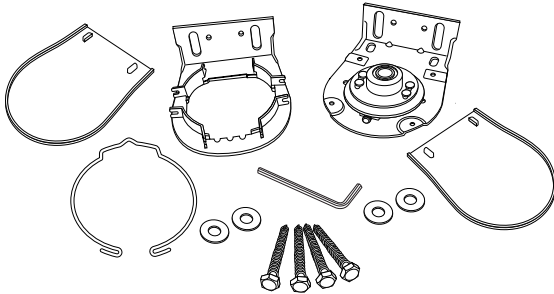
#### FASTENERS CANNOT BE USED!

Often, wood headers are found above the windows. If this is not possible, and you can't secure the shade brackets to the wood studs, then plan on using a Headbox.

Headbox brackets can be located and attached to the wood studs.

BEFORE YOU BEGIN, VERIFY THAT YOU HAVE ALL THE NECESSARY PARTS AND PIECES:

- **PACKAGE** - Contains an idler end bracket and a motor end bracket, two end caps, four washers, four long installation screws, one Allen wrench and one retainer clip.



Illustrations, clockwise from top left:  
End cap, Motor end bracket, Idler end bracket, End cap,  
Washers, Allen wrench, Installation screws and a Retainer clip.

## Mounting the Brackets and Shade

### STEP 1 - INSTALLING THE BRACKETS.

Note: There are **two different brackets**—One for the idler end and one for the motor end.

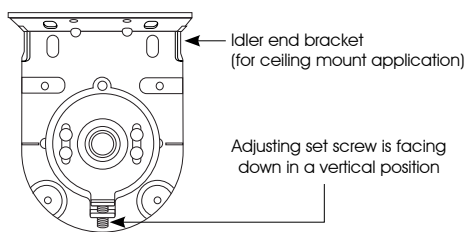
The idler end bracket and motor end bracket can be used for wall, ceiling, outside mount or inside mount installations.

**The bracket to bracket dimension is the shade cloth width plus 1¼".**

#### i) For a Ceiling Mount Application.

**The idler end bracket will come pre-set at the factory for a ceiling mount application.** The adjusting set screw on the idler end bracket will be pre-set in a vertical position (facing downwards) for a ceiling mount.

See illustration below.

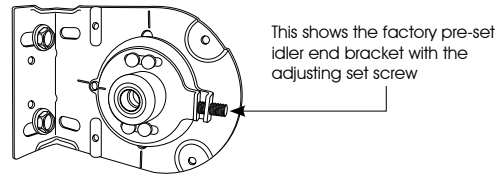


### STEP 1 - INSTALLING THE BRACKETS (continued).

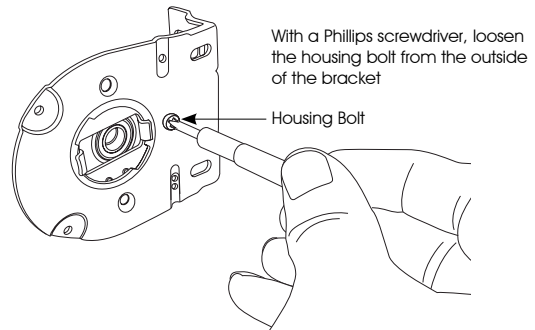
#### ii) For a Wall Mount Application.

The adjusting set screw on the idler end bracket has to turn 90° (degrees) for a wall mount.

See illustrations and instructions below for wall mount application.

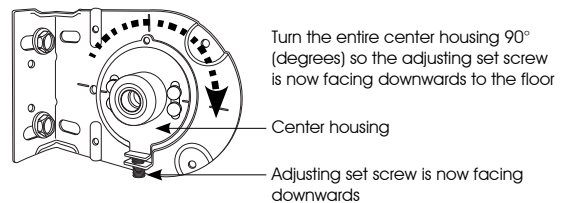


This shows the factory pre-set idler end bracket with the adjusting set screw



With a Phillips screwdriver, loosen the housing bolt from the outside of the bracket

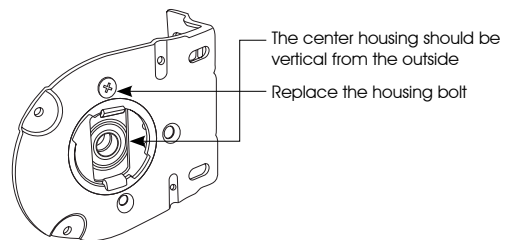
Housing Bolt



Turn the entire center housing 90° (degrees) so the adjusting set screw is now facing downwards to the floor

Center housing

Adjusting set screw is now facing downwards



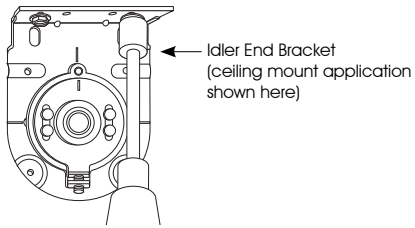
The center housing should be vertical from the outside

Replace the housing bolt

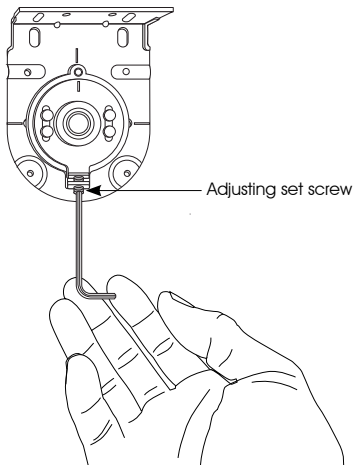
**STEP 1 - INSTALLING THE BRACKETS (continued).**

Use a level to ensure a horizontal position.

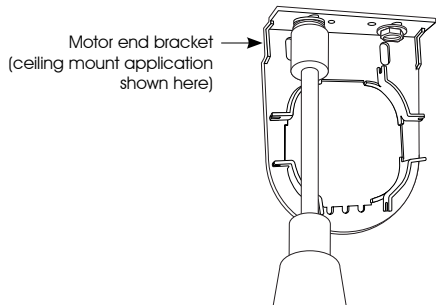
a) Install the idler end bracket.



b) Note: The adjusting set screw can be rotated in either direction with the Allen wrench to level the shade.

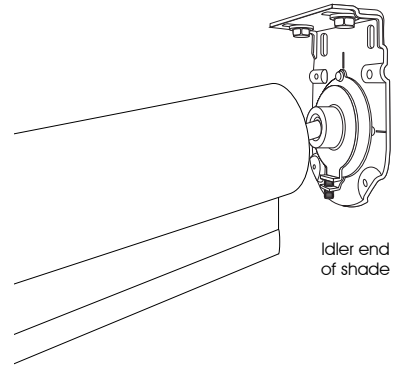


c) Next, install the motor end bracket.



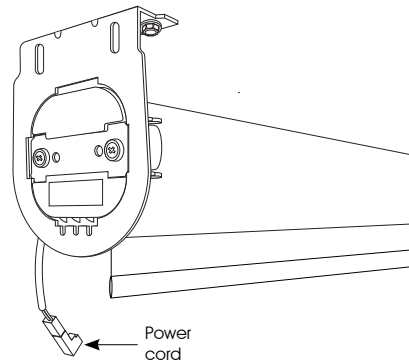
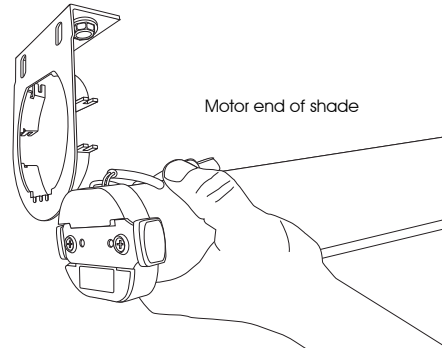
**STEP 2 - INSTALL THE SHADE.**

a) Begin by installing the idler end of the shade.



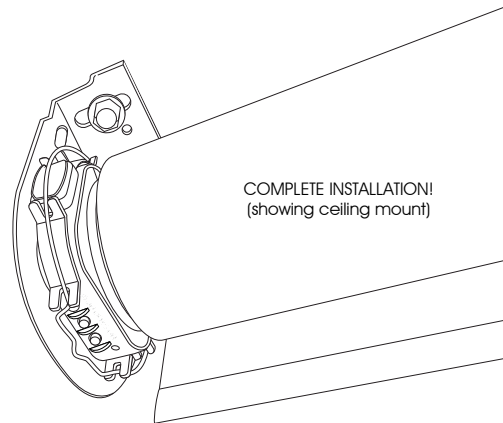
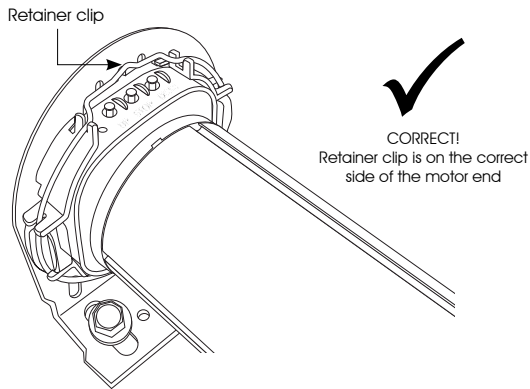
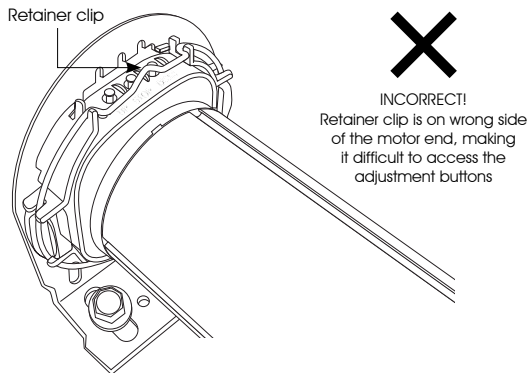
b) Slip the motor end into the bracket. Make sure your power cord is positioned toward the back of the bracket.

While keeping the idler end in position, lift the shade up into the bracket easing the motor head into the motor end bracket.



**STEP 3 - INSERT THE RETAINER CLIP.**

- a) After installing the shade, slip the retainer clip onto the motor end. This clip prevents the motor from slipping out of its bracket.
- b) Make sure the retainer clip sits in the retainer clip channel. See illustrations below.



**STEP 4 - CONNECT YOUR POWER SOURCE AND TEST THE SHADE.**

Please note, your shades are preset at the factory.

If limit adjustments are required, refer to the programming instructions. These can be found in the remote controller shipping box.

**STEP 5 - ADD THE END CAPS TO YOUR SHADE.**

**STEP 6 - MOUNT REMOTE CONTROLLER HOLDER.**

- a) Mount your remote controller holder to the wall.
- b) Insert your remote controller into the holder.
- c) Congratulations, you are done!

**Caring for your DC50 (Ultra Quiet) Series Motors & Roller shades**

Your DC50 (Ultra Quiet) series motors and roller shades will provide you with years of beauty and pleasure with minimal care and cleaning.

- Vacuum using a brush or dust head attachment.
- Dust lightly using a soft, clean cloth.
- Never immerse the motors or shades in water or liquids of any type.
- Call us at 800.828.2500 if you have any questions.

.....

Fabritec, LLC.  
 7531 Coldwater Canyon Avenue  
 North Hollywood, CA 91605  
 t) 818.503.8300  
 f) 818.503.8360  
[www.castec.com](http://www.castec.com)  
[www.fabritecdesigns.com](http://www.fabritecdesigns.com)