

# DUO SHADES installed with L-SYSTEM DUO BRACKETS

## INSTALLATION INSTRUCTIONS



# DUO SHADES INSTALLED WITH L-SYSTEM DUO BRACKETS

## INSTALLATION INSTRUCTIONS

(for a ROLLER shade/ROLLER shade combination)

Thank you for purchasing your new shades. They have been custom-made from the highest quality materials to the dimensions you specified. With the proper installation and care, it will provide you with many years of beauty and trouble-free use.

Please read all instructions before you start so you will be familiar with the overall process.

Make sure you measure your window to ensure the brackets and shades will fit properly before beginning.

## Getting Started

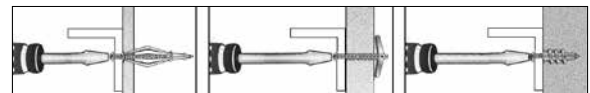
Remove the duo brackets and shades from the packaging. Keep the packaging until you have successfully installed the brackets and the shades.

## TOOLS REQUIRED

- Pencil
- Awl
- Tape Measure
- Level
- Ladder or Stepstool
- Power Drill with the following bits:
  - 1/16" Drill Bit
  - 1/4" Hex Driver
  - Standard Screwdriver
  - Masonry Drill Bit (if drilling into concrete or brick)

## FASTENER NOTES

For outside mount, it is best to attach the bracket to wood studs. If this is not possible, you will need to purchase special fasteners (see illustration below for examples).



Molly Bolt

Hollow Wall Anchor

Anchor

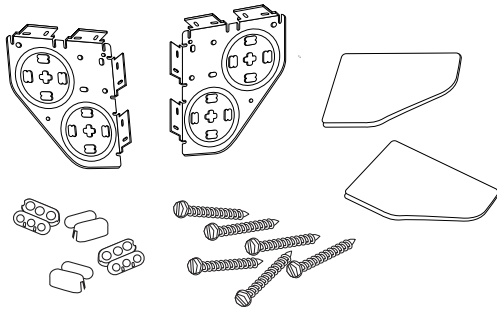
Here are some HELPFUL TIPS:

- If you are using a special fastener, make sure it is designed to support the weight of the clutch and shade. Follow the fastener manufacturer's instructions carefully.
- When drilling into drywall or plaster, use a fastener designed for hollow wall applications (see illustration).
- When drilling into concrete, stone, brick, or tile, use appropriate plugs, anchors, or screws (not included).
- When drilling into metal, the included screws are sufficient. Pre-drill 1/8" holes.

(This applies to a **ROLLER SHADE** mounted on the front and a **ROLLER SHADE** mounted on the back.)

BEFORE YOU BEGIN, VERIFY THAT YOU HAVE ALL THE NECESSARY PARTS AND PIECES:

- **PACKAGE** - Contains two ROLLER shades, two universal duo brackets, a pair of end caps, installation screws and four bead chain stops.

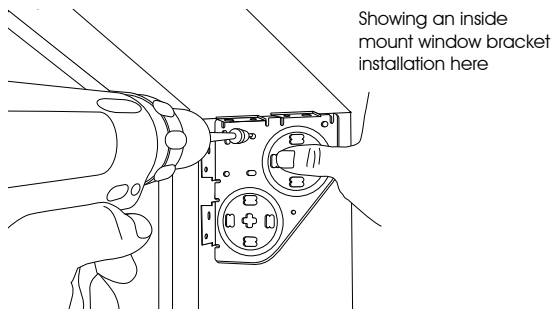


Illustrations, clockwise from top center:  
Duo brackets, a pair of end caps, installation screws and four bead chain stops.

## 1. Installing the Duo Brackets

Use a level to ensure a horizontal position. Both duo brackets are universal and have cross-shaped holes. They can be used on either side as well as for WALL, CEILING or INSIDE MOUNT INSTALLATION.

The outside bracket to bracket should be 1 3/8" greater than the cloth widths.

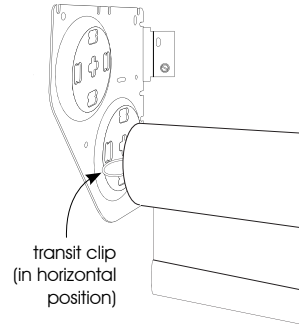


## 2. Installing the Back Shade

a) Sort out your shades.

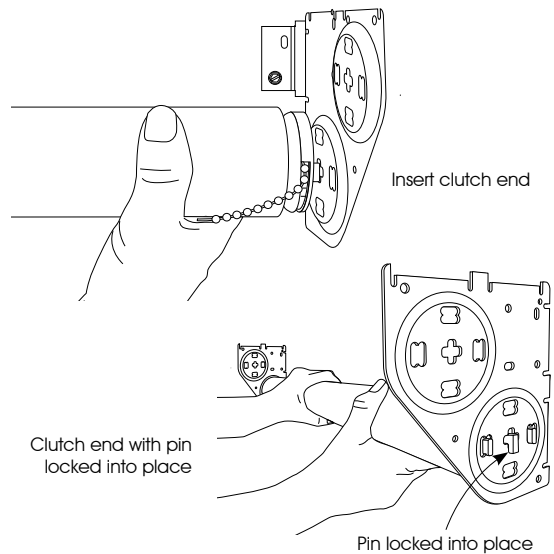
Begin by installing the back shade first. The transit clip should be positioned either straight up and down, or horizontal, in order to line up the idler plunger of the idler end with the cross shaped hole in the bracket. See illustration below.

Remove the transit clip so the shade can be pushed into place.



b) Slip the clutch end into the lower back bracket.

While keeping the idler end in position, lift the shade up into the bracket and align the clutch end pin into the middle of the cross-shaped hole. Gently slide in place and pull down to lock in place.



c) Slip the transit clip back onto the idler end. This ensures proper spacing and alignment.

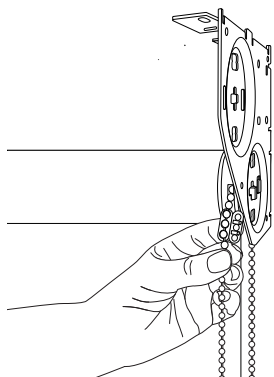
### Installing the Back Shade (continued)

d) Set the lower limit/stop position.

Lower the shade to the desired long point.

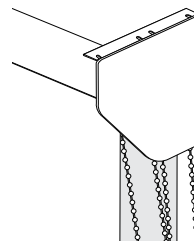
Then pinch the bead chain at this point and place one of the bead chain stops here.

One extra bead chain stop is provided in case a change must be made.



### 4. Add the End Caps

Add the end caps for a finished look.

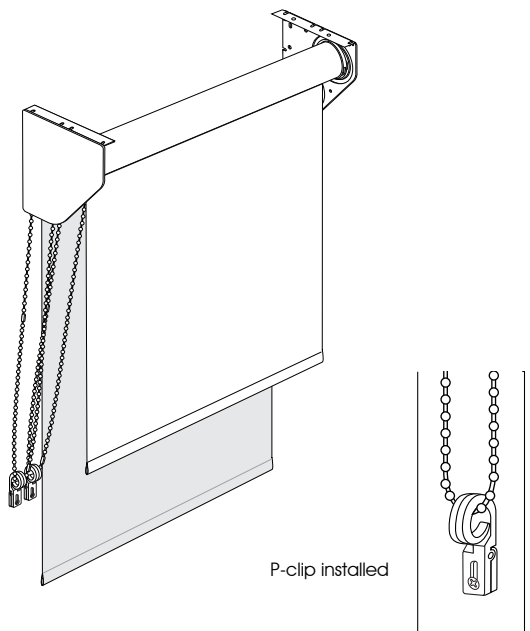


### 5. Install the P-Clips Holddown.

Depress the p-clip holddown and firmly attach to the wall.

DO NOT PULL THE BEAD CHAIN TAUT, as this will prevent the bead chain from operating smoothly.

Make sure that *both* front and back shades are held down with the p-clips. See illustrations below.

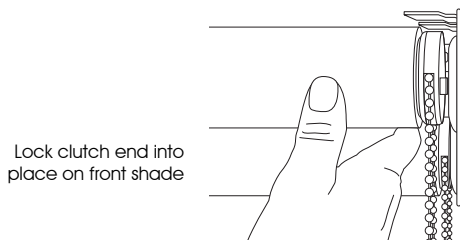
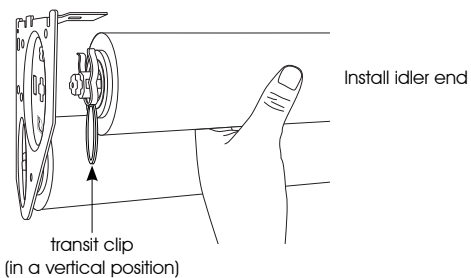


### 3. Installing the Front Shade

a) Install your front shade.

Follow the same instructions as before for installing the back shade. See steps 2(a) and 2(c).

Set the lower limit/stop position. Follow step 2(d).



Congratulations! You are done! If you have any questions, please call us at (800) 828-2500.

## Caring for your Duo Brackets and Roller Shades.

Your Duo Brackets and Roller shades will provide you with years of beauty and pleasure with minimal care and cleaning.

- Vacuum using a brush or dust head attachment.
- Dust lightly using a soft, clean cloth.
- Never immerse the duo brackets or shades in water or liquids of any type.

.....